

DATA SHEET

TDA8798

**Dual 8-bit, 100 Msps A/D converter
with optional DPGA**

Product specification
Supersedes data of 2001 Jan 12
File under Integrated Circuits, IC02

2001 Feb 14

Dual 8-bit, 100 Msps A/D converter with optional DPGA

TDA8798

FEATURES

- Dual 8-bit Analog-to-Digital Converter (ADC)
- Sampling rate up to 100 million samples per second (Msps)
- Dual 34 dBV 6-bit Digitally Programmable Gain Amplifier (DPGA) with optional power-off
- Optional external equalization filter with capacitive coupling between DPGA and ADC
- Serial Interface (SI) for DPGA gain control, using either parallel load mode or count-up/count-down mode
- 3.3 V TTL/CMOS supersedes data of 2001 Jan 12 S compatible I/O
- Single-ended TTL/CMOS clock interface
- AC or DC coupling for DPGA inputs.

APPLICATIONS

- High-dynamic range acquisition front-ends
- Digital data storage read channels.

GENERAL DESCRIPTION

The TDA8798 is a dual 8-bit ADC with DPGA. The 100 Msps maximum sampling rate and 33 dBV DPGA gain range optimizes the ADC for high dynamic range applications.

QUICK REFERENCE DATA

SYMBOL	PARAMETER	CONDITIONS	MIN.	TYP.	MAX.	UNIT
V _{DDA}	analog supply voltage		3.15	3.3	3.45	V
V _{DDD}	digital supply voltage		3.0	3.3	3.6	V
V _{DDO}	output stage supply voltage		2.7	3.3	3.6	V
I _{DDA}	analog supply current	with DPGAEN LOW	–	110	136	mA
		with DPGAEN HIGH	–	68	82	mA
I _{DDD}	digital supply current		–	30	45	mA
I _{DDO}	output stage supply current		–	1.9	6.0	mA
NL _{dc(i)}	DC integral non-linearity	from IC analog input to digital output; ramp input; f _{clk} = 4 MHz without DPGA	–	±0.6	±1.7	LSB
		with DPGA at G _(min)	–	±0.7	±1.8	LSB
NL _{dc(dif)}	DC differential non-linearity	from IC analog input to digital output; ramp input; f _{clk} = 4 MHz without DPGA	–	±0.3	±0.8	LSB
		with DPGA at G _(min)	–	±0.3	±0.8	LSB
V _{n(o)(rms)}	output referred noise (RMS value)	DPGA at G _(max) ; Z _i = 50 Ω; noise bandwidth = 15 MHz; at gain control register = 00H	–	0.23	–	mV _{rms}
		20H	–	0.56	–	mV _{rms}
		3FH	–	1.95	–	mV _{rms}
B _{(–3dB)(ADC)}	ADC –3 dB analog bandwidth	at V _{i(dif)(FS)}	–	150	–	MHz
B _{(–3dB)(DPGA)}	DPGA –3 dB analog bandwidth	at V _{i(dif)(max)}	30	38	–	MHz
f _{(sample)(max)}	maximum sampling rate		100	–	–	Msps
P _{tot}	total power dissipation	with DPGAEN LOW	–	468	655	mW
		with DPGAEN HIGH	–	330	470	mW

Dual 8-bit, 100 Msp/s A/D converter with optional DPGA

TDA8798

ORDERING INFORMATION

TYPE NUMBER	PACKAGE		
	NAME	DESCRIPTION	VERSION
TDA8798HL	LQFP64	plastic low profile quad flat package; 64 leads; body 10 × 10 × 1.4 mm; moisture sensitivity level 4	SOT314-2

BLOCK DIAGRAM

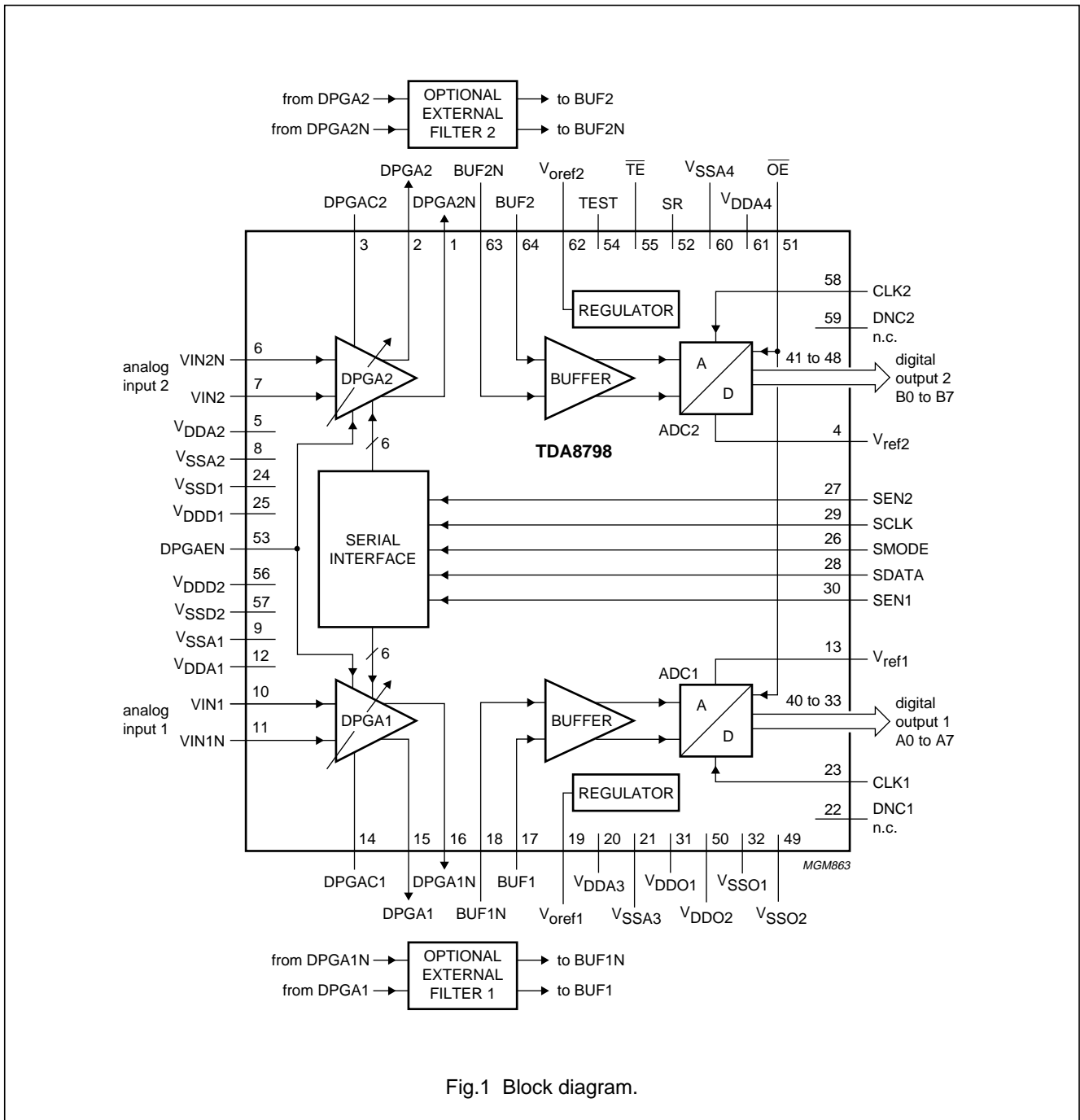


Fig.1 Block diagram.

Dual 8-bit, 100 Msps A/D converter with optional DPGA

TDA8798

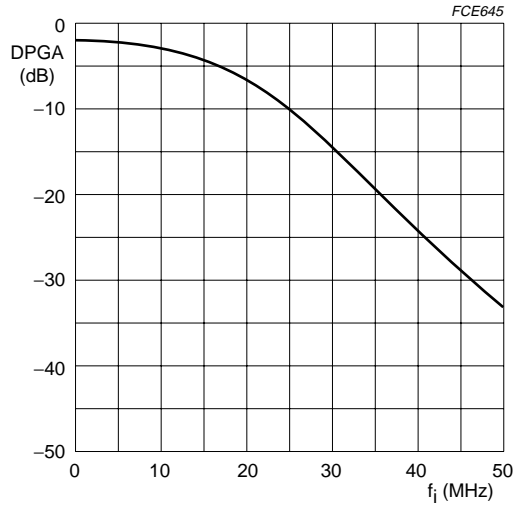
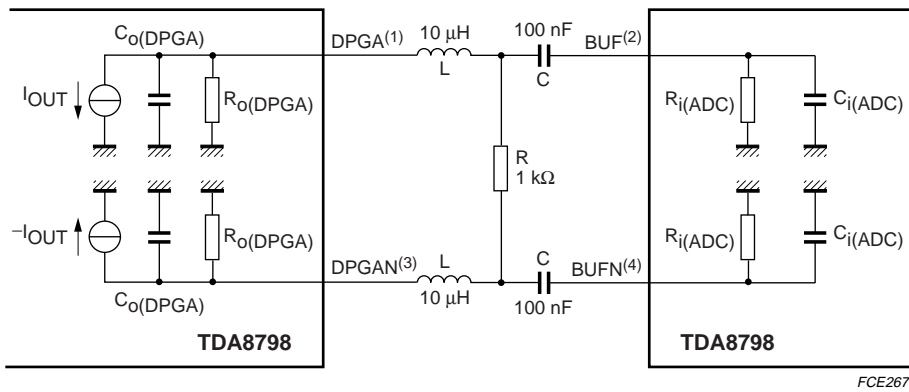


Fig.2 DPGA input to filter output with ADC connected as a function of analog input frequency.



External filtering may be used between DPGA and ADC to limit the noise bandwidth.

The external filter has a low-pass cut-off frequency of $f_{l(-3dB)} \approx \frac{1}{2\pi} \times \frac{R/2 + R_o(DPGA)}{L}$

and a high-pass cut-off frequency of $f_{h(-3dB)} \approx \frac{1}{2\pi} \times \frac{1}{R_{i(ADC)} \times C}$

Other types of filter may be used if DC biasing is correct.

- (1) DPGA1/DPGA2.
- (2) BUF1/BUF2.
- (3) DPGA1N/DPGA2N.
- (4) BUF1N/BUF2N.

Fig.3 External filter.

Dual 8-bit, 100 Msps A/D converter with optional DPGA

TDA8798

PINNING

SYMBOL	PIN	DESCRIPTION
DPGA2N	1	DPGA2 inverting output
DPGA2	2	DPGA2 non-inverting output
DPGAC2	3	DPGA2 bandwidth limitation control
V _{ref2}	4	ADC2 reference output
V _{DDA2}	5	DPGA2 analog supply voltage
VIN2N	6	DPGA2 inverting input voltage
VIN2	7	DPGA2 non-inverting input voltage
V _{SSA2}	8	DPGA2 analog ground
V _{SSA1}	9	DPGA1 analog ground
VIN1	10	DPGA1 non-inverting input voltage
VIN1N	11	DPGA1 inverting input voltage
V _{DDA1}	12	DPGA1 analog supply voltage
V _{ref1}	13	ADC1 reference output
DPGAC1	14	DPGA1 bandwidth limitation control
DPGA1	15	DPGA1 non-inverting output
DPGA1N	16	DPGA1 inverting output
BUF1	17	buffer 1 non-inverting input
BUF1N	18	buffer 1 inverting input
V _{oref1}	19	buffer 1 common mode reference output
V _{DDA3}	20	ADC1 analog supply voltage 3
V _{SSA3}	21	ADC1 analog ground 3
DNC1	22	do not connect
CLK1	23	ADC1 clock input
V _{SSD1}	24	digital ground 1
V _{DDD1}	25	digital supply voltage 1
SMODE	26	serial interface mode input
SEN2	27	serial interface enable 2 (active low)
SDATA	28	serial interface data input
SCLK	29	serial interface clock input
SEN1	30	serial interface enable 1 (active low)
V _{DDO1}	31	output stage supply voltage 1
V _{SSO1}	32	output stage ground 1

SYMBOL	PIN	DESCRIPTION
A7	33	channel 1 output bit 7 (MSB)
A6	34	channel 1 output bit 6
A5	35	channel 1 output bit 5
A4	36	channel 1 output bit 4
A3	37	channel 1 output bit 3
A2	38	channel 1 output bit 2
A1	39	channel 1 output bit 1
A0	40	channel 1 output bit 0 (LSB)
B0	41	channel 2 output bit 0 (LSB)
B1	42	channel 2 output bit 1
B2	43	channel 2 output bit 2
B3	44	channel 2 output bit 3
B4	45	channel 2 output bit 4
B5	46	channel 2 output bit 5
B6	47	channel 2 output bit 6
B7	48	channel 2 output bit 7 (MSB)
V _{SSO2}	49	output stage ground 2
V _{DDO2}	50	output stage supply voltage 2
OE	51	digital output enable (active LOW)
SR	52	digital output bit slew-rate control
DPGAEN	53	DPGA enable (active LOW)
TEST	54	test input (to be grounded)
TE	55	track-and-hold enable (active LOW)
V _{DDD2}	56	digital supply voltage 2
V _{SSD2}	57	digital ground 2
CLK2	58	ADC2 clock input
DNC2	59	do not connect
V _{SSA4}	60	ADC2 analog ground 4
V _{DDA4}	61	ADC2 analog supply voltage 4
V _{oref2}	62	buffer 2 common mode reference output
BUF2N	63	buffer 2 inverting input
BUF2	64	buffer 2 non-inverting input

Dual 8-bit, 100 Msp/s A/D converter with optional DPGA

TDA8798

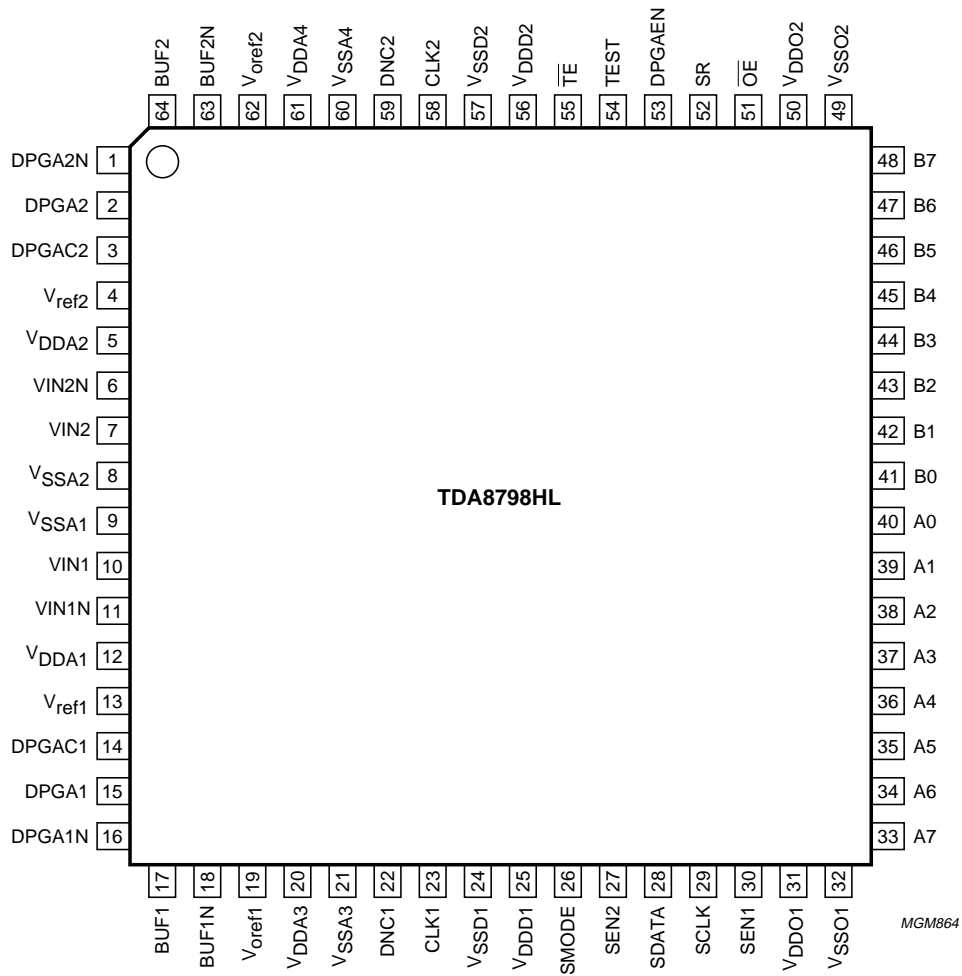


Fig.4 Pin configuration.

Dual 8-bit, 100 Msps A/D converter with optional DPGA

TDA8798

FUNCTIONAL DESCRIPTION

The TDA8798 comprises two independent fully differential signal chains, each having a DPGA and a high-speed ADC. A serial interface allows the gain of each DPGA to be controlled independently. To improve signal conditions, an AC-coupled external filter can be connected between a DPGA and ADC. The TDA8798 can be used as a dual 8-bit ADC without DPGA functionality, using less power.

Digitally Programmable Gain Amplifier (DPGA)

The gain of the differential DPGA can be programmed from 1 to 34 dBV in 63 equal steps by a 6-bit word output in parallel from a gain control register in the SI. For all gain settings, the DPGA signal bandwidth exceeds 30 MHz. The settling time between gain changes can be adjusted by an external decoupling capacitor connected to DPGAC1 (pin 14) and/or DPGAC2 (pin 3). The analog input signals can be either AC or DC coupled. When used only as a dual 8-bit ADC, both DPGAs can be disabled to reduce power consumption.

Analog-to-Digital Converter (ADC)

The 8-bit ADC converts the differential analog input signal into a binary output format at a maximum conversion rate of 100 Msps. All digital input and output signals are TTL/CMOS compatible.

The ADC clock signal is single-ended source.

The analog input to the ADC is AC coupled.

When used only as a dual ADC, the ADC can be externally biased by regulator output V_{oref1} (pin 19) and/or V_{oref2} (pin 62) using series resistors of, for example, 50 Ω , connected to the ADC buffer inputs providing a lower input impedance. This requires V_{oref1} and/or V_{oref2} to be decoupled to ground by a 10 nF capacitor.

V_{ref1} (pin 13) and/or V_{ref2} (pin 4) provide a voltage corresponding to the bias of the ADC which can be used as a reference output to an external control circuit. Alternatively, an external control voltage can be applied to these pins to adjust the full-scale range of the ADC.

Serial Interface (SI)

The SI allows the gain of each DPGA to be controlled independently using either a parallel load mode or a count-up/count-down mode. The gain control mode is selected by the state of SMODE. The operation of DPGA gain control is shown in the timing diagram of Fig.5.

Serial load mode

This mode loads gain control data serially into a decoder in the SI. Each of the six bits are loaded on the rising edge of SCLK. After the load is completed, SEN goes inactive, loading the data in parallel to a gain control register in the SI, changing the gain of the DPGA.

Tracking mode (count-up/count-down mode)

Tracking mode is selected when SMODE is in the opposite state to parallel load mode. This mode either increments or decrements the SI gain control register in one-bit steps when SEN and SCLK are both active; the state of SDATA determines the count direction (up or down). This allows the gain of the DPGA to be changed asynchronously and intermittently.

ADC digital outputs

Digital noise on the internal supply lines increases when the V_{DDO} voltage increases, affecting the crosstalk between channels. This effect can be reduced by making SR (pin 52) HIGH, changing the slew rate of the ADC digital outputs.

Dual 8-bit, 100 Msps A/D converter with optional DPGA

TDA8798

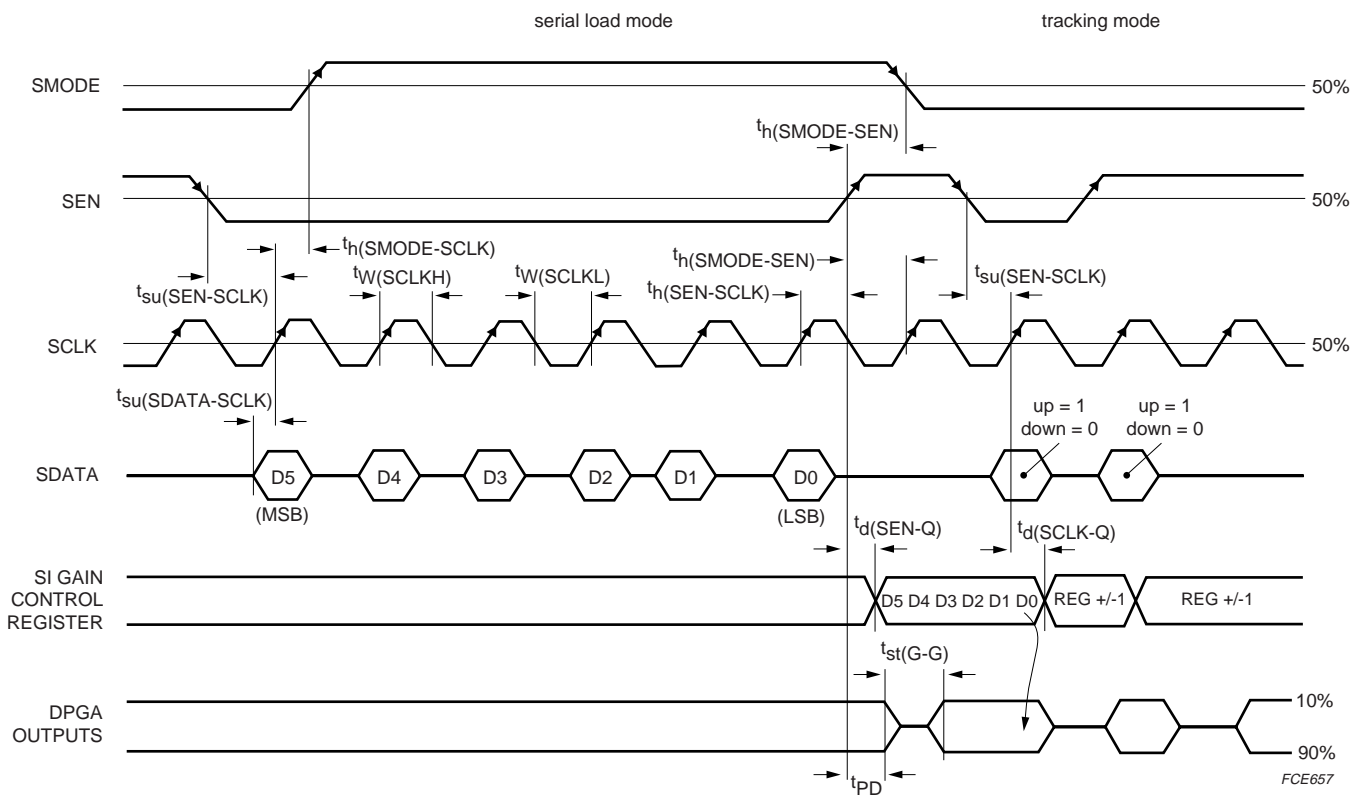


Fig.5 Timing diagram of serial interface.

Dual 8-bit, 100 Msps A/D converter with optional DPGA

TDA8798

Table 1 Serial interface truth table; see notes 1 and 2

SMODE	SCLK	SEN1	SEN2	SDATA	ACTION
0	X, $\bar{\downarrow}$	1	1	U	WAIT
0	\uparrow	1	1	Di	SISR: SISR \leftarrow Di
0	\uparrow	0	1	1	SISR: SISR \leftarrow 1 GCR1: GCR1 + 1
0	\uparrow	0	1	0	SISR: SISR \leftarrow 0 GCR1: GCR1 - 1
0	\uparrow	1	0	1	SISR: SISR \leftarrow 1 GCR2: GCR2 + 1
0	\uparrow	1	0	0	SISR: SISR \leftarrow 0 GCR2: GCR2 - 1
0	\uparrow	0	0	1	SISR: SISR \leftarrow 1 GCR1: GCR1 + 1 GCR2: GCR2 + 1
0	\uparrow	0	0	0	SISR: SISR \leftarrow 0 GCR1: GCR1 - 1 GCR2: GCR2 - 1
1	X, $\bar{\downarrow}$	X, $\bar{\downarrow}$	X, $\bar{\downarrow}$	U	WAIT
1	\uparrow	X, $\bar{\downarrow}$	X, $\bar{\downarrow}$	Di	SISR: SISR \leftarrow Di
1	X, $\bar{\downarrow}$	\uparrow	X, $\bar{\downarrow}$	U	GCR1: SISR

Dual 8-bit, 100 Msps A/D converter with optional DPGA

TDA8798

SMODE	SCLK	SEN1	SEN2	SDATA	ACTION
1	X, \downarrow	X, \downarrow	\uparrow	U	GCR2: SISR
1	X, \downarrow	\uparrow	\uparrow	U	GCR1: SISR GCR2: SISR

Notes

- ' \leftarrow Di': shifting LSB and loading new LSB with value Di.
- In count-up/count-down mode, the gain control register cannot be incremented above the maximum gain value of 63, or decremented below the minimum gain value of 0.

Table 2 Abbreviations

SYMBOL	DESCRIPTION
GCR1	DPGA1 gain control register value
GCR2	DPGA2 gain control register value
SISR	serial interface shift register value
X	can be either logic state 0 or logic state 1
\uparrow	rising edge
\downarrow	falling edge
U	can be either undefined logic state X rising edge or falling edge
Di	data input

Table 3 \overline{TE} truth table

\overline{TE}	ADC TRACK-AND-HOLD
0	track-and-hold enabled; note 1
1	track enabled

Note

- \overline{TE} must set HIGH for clock frequency below 10 Msps.

Table 4 SR truth table

SR	ADC DIGITAL OUTPUT SLEW RATE
0	maximum
1	minimum

Table 5 DPGAEN truth table

DPGAEN	DPGA FUNCTIONALITY
0	enabled
1	disabled

Table 6 Gain Control

GAIN CONTROL REGISTER VALUE	GAIN (dBV)
00H	minimum
01H	minimum + 0.52
02H	minimum + 1.04
...	...
...	...
...	...
3EH	minimum + 32.48
3FH	minimum + 33.00

Dual 8-bit, 100 Msps A/D converter with optional DPGA

TDA8798

LIMITING VALUES

In accordance with the Absolute Maximum Rating System (IEC 60134) and PHILIPS (SNW-FQ-304).

SYMBOL	PARAMETER	CONDITIONS	MIN.	MAX.	UNIT
V_{DDA}	analog supply voltage	note 1	-0.3	+6.5	V
V_{DDD}	digital supply voltage	note 1	-0.3	+6.5	V
V_{DDO}	output stages supply voltage	note 1	-0.3	+6.5	V
ΔV_{DDD}	supply voltage differences between: VDDA and VDDD VDDD and VDDO	note 2	-0.5 -0.5	+0.5 +1.0	V V
$V_{VIN1,1N,2,2N}$	input voltage range; pins 10, 11, 6 and 7	note 3	-0.3	+5.0	V
$V_{BUF1,1N,2,2N}$	input voltage range; pins 17, 18, 64 and 63	note 3	-0.3	+6.5	V
$V_{CLK1,1N,2,2N}$	input voltage range; pins 22, 23, 58 and 59	note 3	-0.3	+5.0	V
V_{TE}	input voltage range; pin 55	note 3	-0.3	+6.5	V
V_{TEST}	input voltage range; pin 54	note 3	-0.3	+6.5	V
V_{DPGAEN}	input voltage range; pin 53	note 3	-0.3	+6.5	V
V_{SR}	input voltage range; pin 52	note 3	-0.3	+6.5	V
V_{OE}	input voltage range; pin 51	note 3	-0.3	+6.5	V
V_{SMODE}	input voltage range; pin 26	note 3	-0.3	+6.5	V
V_{SEN2}	input voltage range; pin 27	note 3	-0.3	+6.5	V
V_{SDATA}	input voltage range; pin 28	note 3	-0.3	+6.5	V
V_{SCLK}	input voltage range; pin 29	note 3	-0.3	+6.5	V
V_{SEN1}	input voltage range; pin 30	note 3	-0.3	+6.5	V
I_o	output current		-10	+10	mA
T_{stg}	storage temperature		-55	+150	°C
T_{amb}	operating ambient temperature		0	+70	°C
T_j	junction temperature		-	+150	°C

Notes

1. All supply voltages connected together are referred to all ground pins connected together.
2. All the non-stressed supply voltages are at typical values and are referred to all ground pins connected together.
3. All supply voltages are at typical values and are referred to all ground pins connected together.

HANDLING

Inputs and outputs are protected against electrostatic discharges in normal handling. However, to be totally safe, it is desirable to take normal precautions appropriate to handling integrated circuits.

THERMAL CHARACTERISTICS

SYMBOL	PARAMETER	CONDITIONS	VALUE	UNIT
$R_{th(j-a)}$	thermal resistance from junction to ambient	in free air	68	K/W

Dual 8-bit, 100 Msps A/D converter with optional DPGA

TDA8798

CHARACTERISTICS

$V_{DDA} = V_5$ (or V_{12} or V_{20} or V_{61}) to V_8 (or V_9 or V_{21} or V_{60}) = 3.15 to 3.45 V; $V_{DDD} = V_{25}$ (or V_{56}) to V_{24} (or V_{57}) = 3.0 to 3.6 V; $V_{DDO} = V_{31}$ (or V_{50}) to V_{32} (or V_{49}) = 2.7 to 3.6 V; V_{SSA} , V_{SSD} and V_{SSO} shorted together; V_{DDA} to $V_{DDD} = -0.25$ to $+0.25$ V; V_{DDD} to $V_{DDO} = -0.25$ to $+0.90$ V; V_{DDA} to $V_{DDO} = -0.25$ to $+0.75$ V; $T_{amb} = 0$ to 70 °C; typical values measured at $V_{DDA} = V_{DDD} = V_{DDO} = 3.3$ V and $T_{amb} = 25$ °C; $C_{(dpgac)} = 1$ nF; unless otherwise specified.

SYMBOL	PARAMETER	CONDITIONS	MIN.	TYP.	MAX.	UNIT
Supplies						
V_{DDA}	analog supply voltage		3.15	3.3	3.45	V
V_{DDD}	digital supply voltage		3.0	3.3	3.6	V
V_{DDO}	output stage supply voltage		2.7	3.3	3.6	V
I_{DDA}	analog supply current	DPGAEN LOW	–	110	136	mA
		DPGAEN HIGH	–	68	82	mA
I_{DDD}	digital supply current		–	30	45	mA
I_{DDO}	output stage supply current	$f_{clk} = 100$ MHz; ramp input	–	1.9	6	mA
Digital programmable gain amplifiers						
ANALOG INPUTS (VIN1, VIN1N, VIN2 AND VIN2N)						
$V_{i(dif)(max)(p-p)}$	maximum differential input voltage (peak-to-peak value)	at $G_{(min)}$	–	0.5	–	V
		at $G_{(max)}$	–	10	–	mV
$V_{i(cm)(DPGA)}$	common mode input voltage		2.2	$V_{DDA}-0.6$	$V_{DDA}-0.35$	V
V_{io}	input offset voltage at gain control register: 00H 20H 3FH		–	–	50	mV
			–	–	13	mV
			–	–	4	mV
$R_{i(DPGA)}$	input resistance	at $V_{i(cm)(DPGA)}$	1.2	1.4	1.8	k Ω
$C_{i(DPGA)}$	input capacitance		–	–	5	pF
ANALOG OUTPUTS (DPGA1, DPGA1N, DPGA2 AND DPGA2N)						
$V_{o(dif)(max)(p-p)}$	maximum differential output voltage (peak-to-peak value)	at $G_{(min)}$	–	0.5	–	V
		at $G_{(max)}$	–	0.5	–	V
$V_{o(cm)(DPGA)}$	common mode output voltage		$V_{DDA}-0.4$	$V_{DDA}-0.3$	$V_{DDA}-0.2$	V
$R_{o(DPGA)}$	output resistance	at $V_{o(cm)(DPGA)}$	100	130	160	Ω
$C_{o(DPGA)}$	output capacitance		–	–	5	pF
BANDWIDTH AND SETTLING						
$B_{(-3dB)(DPGA)}$	DPGA –3 dB bandwidth	at $V_{i(dif)(max)}$	30	38	–	MHz
t_{st}	settling time	full-scale transition 10% to 90% at $G_{(min)}$	–	9	11	ns
$t_{d(g)}$	group delay	f_i up to 15 MHz at $G_{(min)}$	–	5.4	6.5	ns

Dual 8-bit, 100 Msps A/D converter with optional DPGA

TDA8798

SYMBOL	PARAMETER	CONDITIONS	MIN.	TYP.	MAX.	UNIT
GAIN						
$G_{(min)}$	minimum gain setting	at $T_{amb} = 25\text{ }^{\circ}\text{C}$; $V_{DD} = 3.3\text{ V}$	-1.2	+1.0	+3.4	dBV
$G_{(max)}$	maximum gain setting		32.2	34	36.2	dBV
$G_{(range)}$	gain range		30	33	36	dBV
$G_{(step)}$	gain step		-	0.52	-	dBV
$\Delta G/\Delta T$	amplifier gain stability as a function of temperature	at $G_{(min)}$	-7	-4.3	-	mdB/ $^{\circ}\text{C}$
		at $G_{(max)}$	-	5.8	8	mdB/ $^{\circ}\text{C}$
$\Delta G/\Delta V_{DD}$	amplifier gain stability as a function of power supply voltage	at $G_{(min)}$	-	-0.1	-	dB/V
		at $G_{(max)}$	-	0.3	-	dB/V
$G_{(m)(c-c)}$	channel-to-channel gain matching	at $G_{(min)}$	-	-	3.1	dB
		at $G_{(max)}$	-	-	1.7	dB
G_{INL}	gain step size integral non-linearity		-	0.9	-	LSB
G_{DNL}	gain step size differential non-linearity (actual gain step/average - 1)		-1	-	+1.0	LSB
GAIN SWITCHING; $T_{AMB} = 25\text{ }^{\circ}\text{C}$						
$t_{st(G-G)}$	settling time between two consecutive gain settings $G_{(min)}$ to $G_{(max)}$ $G_{(max)}$ to $G_{(min)}$	$C_{(dpgac)} = 68\text{ pF}$	-	285	-	ns
			-	30	-	ns
t_{PD}	propagation delay			32.5	40	ns
REJECTION						
CMRR	common mode rejection ratio	DC to 15 MHz at $G_{(min)}$	36	4.3	-	dB
START-UP						
$t_{strt(DPGAEN)}$	DPGA start time to DPGAEN falling edge		-	1.2	-	μs
$t_{stp(DPGAEN)}$	DPGA stop time to DPGAEN rising edge		-	100	-	ns

Dual 8-bit, 100 Msps A/D converter with optional DPGA

TDA8798

SYMBOL	PARAMETER	CONDITIONS	MIN.	TYP.	MAX.	UNIT
HARMONICS						
HD2	second harmonic distortion at gain control register:	$f_i = 4.43 \text{ MHz};$ at $V_{O(dif)(max)}$				
	00H		–	–56	–40	dB
	20H		–	–59	–43	dB
	3FH		–	–57	–45	dB
	second harmonic distortion at gain control register:	$f_i = 15 \text{ MHz};$ at $V_{O(dif)(max)}$				
	00H		–	–56	–	dB
20H		–	–60.5	–	dB	
3FH		–	–59	–	dB	
HD3	third harmonic distortion at gain control register:	$f_i = 4.43 \text{ MHz};$ at $V_{O(dif)(max)}$				
	00H		–	–62	–44	dB
	20H		–	–60	–50	dB
	3FH		–	–58	–50	dB
	third harmonic distortion at gain control register:	$f_i = 15 \text{ MHz};$ at $V_{O(dif)(max)}$				
	00H		–	–60	–	dB
20H		–	–64.5	–	dB	
3FH		–	–59	–	dB	
NOISE						
$V_{n(o)(rms)}$	output referred noise (RMS value) at gain control register:	$Z_i = 50 \Omega;$ noise bandwidth = 15 MHz				
	00H		–	230	–	μVrms
	20H		–	560	–	μVrms
	3FH		–	1.95	–	mVrms
ADC (without DPGA; $f_{clk} = 100 \text{ MHz};$ from buffer input to digital output)						
ANALOG INPUTS (BUF1, BUF1N, BUF2 AND BUF2N)						
$V_{i(dif)(FS)(p-p)}$	differential input voltage full-scale amplitude; (peak-to-peak value)		420	465	510	mV
$\Delta V_{i(dif)(FS)(p-p)}$	differential input voltage full-scale amplitude matching between channels		–	–	8	%
$V_{i(cm)(ADC)}$	common mode input voltage		2.1	$V_{DDA}-0.5$	$V_{DDA}-0.1$	V
$R_{i(ADC)}$	input resistance	at $V_{i(cm)(ADC)}$	12	20	35	k Ω
$C_{i(ADC)}$	input capacitance		–	3	–	pF

Dual 8-bit, 100 Msps A/D converter with optional DPGA

TDA8798

SYMBOL	PARAMETER	CONDITIONS	MIN.	TYP.	MAX.	UNIT
STATIC LINEARITY						
NL _{dc(i)}	DC integral non-linearity	ramp input; f _{clk} = 4 MHz				
	without DPGA		–	±0.6	±1.7	LSB
	with DPGA at G _(min)		–	±0.7	±1.8	LSB
NL _{dc(dif)}	DC differential non-linearity	ramp input; f _{clk} = 4 MHz				
	without DPGA		–	±0.3	±0.8	LSB
	with DPGA at G _(min)		–	±0.3	±0.8	LSB
DYNAMIC PERFORMANCE						
EB	effective number of bits	f _i = 4.43 MHz	6.8	7.35	–	–
THD	total harmonic distortion		–	–53	–41	dB
HD2	second harmonic distortion		–	–60	–43	dB
HD3	third harmonic distortion		–	–62	–44	dB
S/N	signal-to-noise ratio	f _i = 4.43 MHz without harmonics	43	46.5	–	dB
BANDWIDTH						
B _{(–3dB)(ADC)}	ADC –3 dB analog bandwidth		–	150	–	MHz
CROSSTALK BETWEEN ADC1 AND ADC2						
α _{ct}	crosstalk between channels	SR HIGH	–	–48.0	–	dB
		SR LOW	–	–45.5	–	dB
CLOCK INPUTS: CLK1 AND CLK2						
V _{IH}	HIGH-level clock input voltage		2.0	–	V _{DDD}	V
V _{IL}	LOW-level clock input voltage		–	–	0.8	V
I _{IH}	HIGH-level clock input current		–	–	135	μA
I _{IL}	LOW-level clock input current		–135	–	–	μA
DIGITAL CONTROL INPUTS (OE, TE, TEST, DPGAEN AND SR)						
V _{IL}	LOW-level input voltage		–	–	0.8	V
V _{IH}	HIGH-level input voltage		2.0	–	V _{DDD}	V
I _{IH}	HIGH-level input current		–20	–	+20	μA
I _{IL}	LOW-level input current		–20	–	+20	μA
DIGITAL OUTPUTS (A0 TO A7 AND B0 TO B7)						
V _{OL}	LOW-level output voltage	I _O = 1 mA	–	–	0.4	V
V _{OH}	HIGH-level output voltage	I _O = –1 mA	V _{DDO} –0.4 V	–	–	V
I _{oz}	output current in 3-state mode	V _O > 0.4 V; V _O < (V _{DDO} –0.4 V)	–20	–	+20	μA

Dual 8-bit, 100 Msps A/D converter with optional DPGA

TDA8798

SYMBOL	PARAMETER	CONDITIONS	MIN.	TYP.	MAX.	UNIT
ADC CLOCK TIMING						
$f_{\text{clk(max)}}$	maximum clock frequency	$\overline{\text{TE}}$ LOW	100	–	–	MHz
		$\overline{\text{TE}}$ HIGH	10	–	–	MHz
$f_{\text{clk(min)}}$	minimum clock frequency	$\overline{\text{TE}}$ LOW	–	–	10	MHz
$t_{\text{W(CLKL)}}$	clock pulse width LOW duration	$\overline{\text{TE}}$ LOW	4.5	–	–	ns
$t_{\text{W(CLKH)}}$	clock pulse width HIGH duration		4.5	–	–	ns
$t_{\text{W(CLKH)(max)}}$	maximum clock pulse width HIGH duration	$\overline{\text{TE}}$ LOW; note 1	–	–	0.5	μs
$t_{\text{r(CLK)}}$	clock pulse rise time		0.75	2	3	ns
$t_{\text{f(CLK)}}$	clock pulse fall time		0.75	2	3	ns
DATA TIMING (see Fig.5); $F_{\text{CLK}} = 100 \text{ MHz}$; $C_{\text{L}} = 10 \text{ pF}$						
$t_{\text{d(s)(D)}}$	data sampling delay time		–	0.32	–	ns
$t_{\text{d(Q)}}$	data output delay time	SR HIGH	–	7.0	8.8	ns
		SR LOW	–	6.4	8.0	ns
$t_{\text{h(Q)}}$	data output hold time	SR HIGH	3.3	4.5	–	ns
		SR LOW	3.0	4.4	–	ns
$t_{\text{su(Q)}}$	data output setup time	SR HIGH	–	9.7	11.8	ns
		SR LOW	–	8.0	9.8	ns
3-STATE OUTPUT DELAY TIMES (see Fig.18)						
t_{dZH}	output delay enable at logic HIGH	SR HIGH	–	7.3	9.2	ns
		SR LOW	–	7.2	9.2	ns
t_{dZL}	output delay enable at logic LOW	SR HIGH	–	6.9	8.5	ns
		SR LOW	–	6.6	8.5	ns
t_{dHZ}	output delay disable at logic HIGH	SR HIGH	–	11.3	14	ns
		SR LOW	–	12.2	16	ns
t_{dLZ}	output delay disable at logic LOW	SR HIGH	–	9.0	14	ns
		SR LOW	–	9.9	16	ns
ADC REFERENCE OUTPUTS (V_{REF1} AND V_{REF2})						
$V_{\text{o(ref)}}$	ADC reference output voltage		1.20	1.26	1.37	V
$R_{\text{o(ref)}}$	ADC reference output resistance	at $V_{\text{o(ref)}}$	–	21	50	Ω
$I_{\text{o(ref)(max)}}$	ADC reference maximum output current		2.5	–	–	mA
$C_{\text{o(ref)}}$	ADC reference output capacitance		–	–	3	pF

Dual 8-bit, 100 Msps A/D converter with optional DPGA

TDA8798

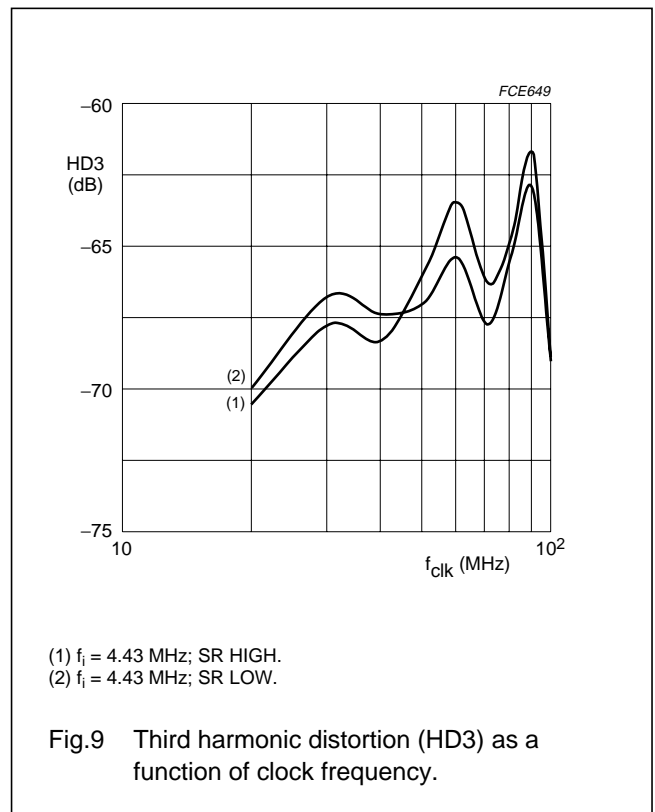
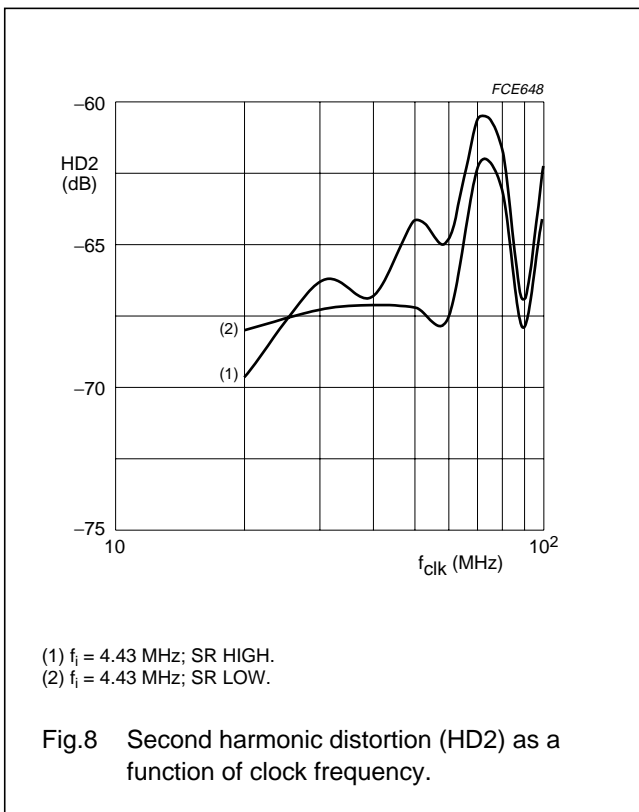
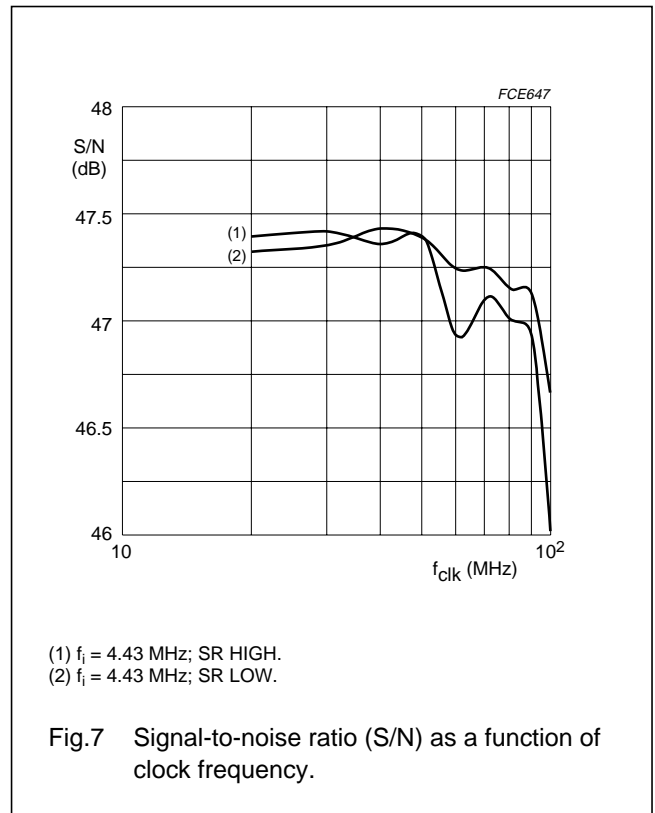
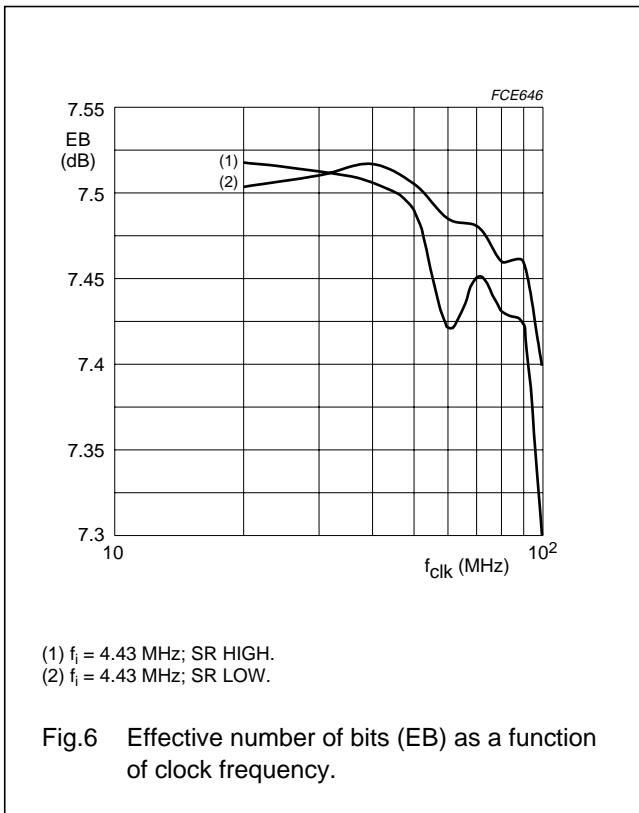
SYMBOL	PARAMETER	CONDITIONS	MIN.	TYP.	MAX.	UNIT
COMMON MODE REFERENCE OUTPUTS (V_{OREF1} AND V_{OREF2})						
$V_{o(ref)}$	reference output voltage		$V_{DDA}-0.6$	$V_{DDA}-0.5$	$V_{DDA}-0.4$	V
$R_{o(ref)}$	reference output resistance	at $V_{o(cm)(ref)}$	–	630	–	Ω
$I_{o(ref)}$	reference maximum output current	at $V_{o(cm)(ref)} - 0.2$ V	100	160	–	μ A
$C_{o(ref)}$	reference output capacitance		–	–	3	pF
Serial Interface						
DIGITAL INPUTS (SEN1, SEN2, SCLK, SDATA AND SMODE)						
V_{IL}	LOW-level input voltage		0	–	0.8	V
V_{IH}	HIGH-level input voltage		2.0	–	V_{DDD}	V
I_{IH}	HIGH-level input current		–5	0	+5	μ A
I_{IL}	LOW-level input current		–5	0	+5	μ A
GAIN CONTROL DATA TIMING (see Fig.5)						
$f_{SCLK(max)}$	maximum clock frequency		20	–	–	MHz
$t_{W(SCLKH)}$	clock pulse width HIGH		20	–	–	ns
$t_{W(SCLKL)}$	clock pulse width LOW		20	–	–	ns
$t_{su(SEN-SCLK)}$	SEN to SCLK set-up time		8	–	–	ns
$t_h(SEN-SCLK)$	SEN to SCLK hold time		5	–	–	ns
$t_{su(SDATA-SCLK)}$	SDATA to SCLK set-up time		5	–	–	ns
$t_h(SMODE-SCLK)$	SMODE to SCLK hold time		5	–	–	ns
$t_h(SMODE-SEN)$	SMODE to SEN hold time		10	–	–	ns
$t_d(SEN-Q)$	delay SEN rising edge to change gain control register value		–	–	5	ns
$t_d(SCLK-Q)$	delay SCLK rising edge to change gain control register value		–	–	5	ns

Note

- When using the Track-and-Hold mode by setting \overline{TE} LOW, the CLK input must never be HIGH for more than $t_{W(CLKH)(max)}$ even at power up to guarantee that the Track-and-Hold will start well. If CLK is set HIGH for more than $t_{W(CLKH)(max)}$ then, to correctly restart the Track-and-Hold, either \overline{TE} has to be set LOW or CLK has to be set LOW for at least 50 ns. By using the application diagram clock input interface, see Fig. 17, the clock is guaranteed to respect the $t_{W(CLKH)(max)}$ timing in all conditions, i.e. at start-up or if the clock is temporarily lost.

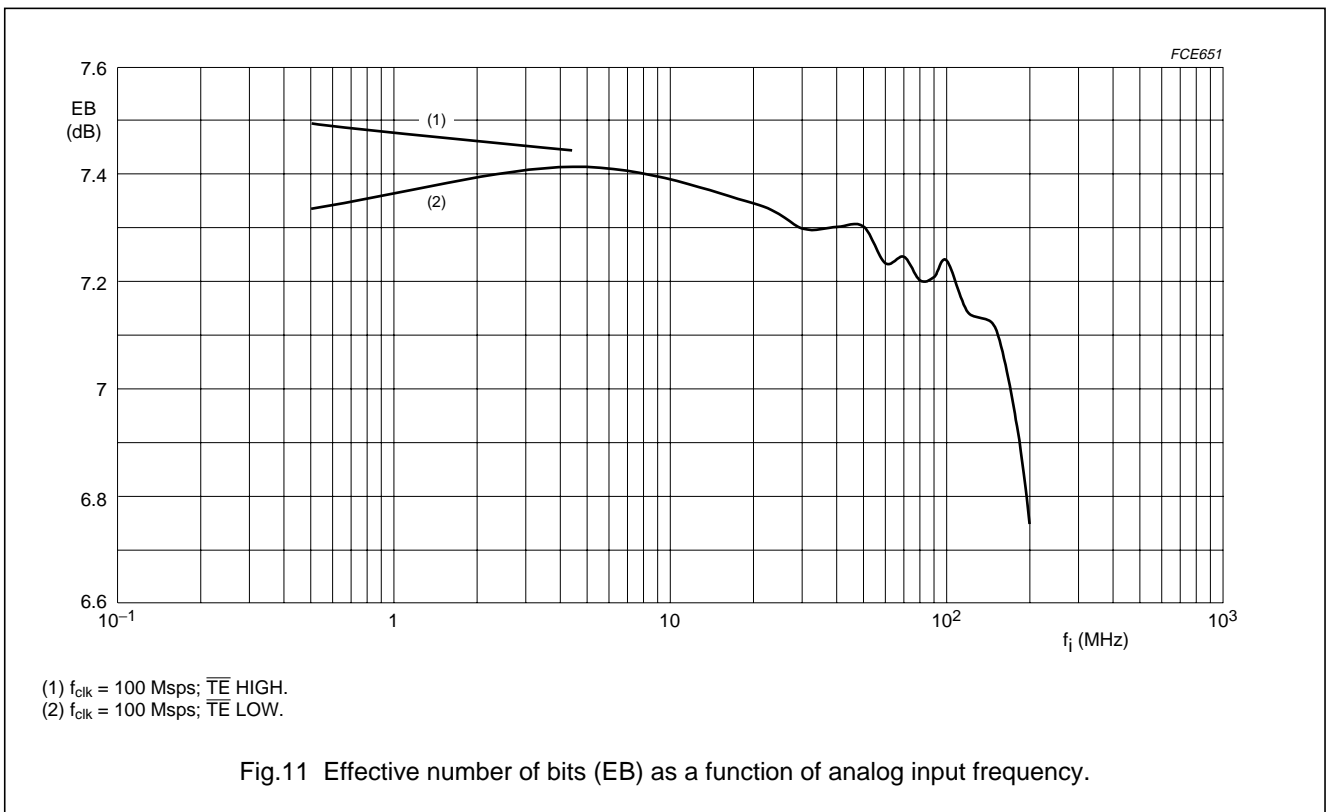
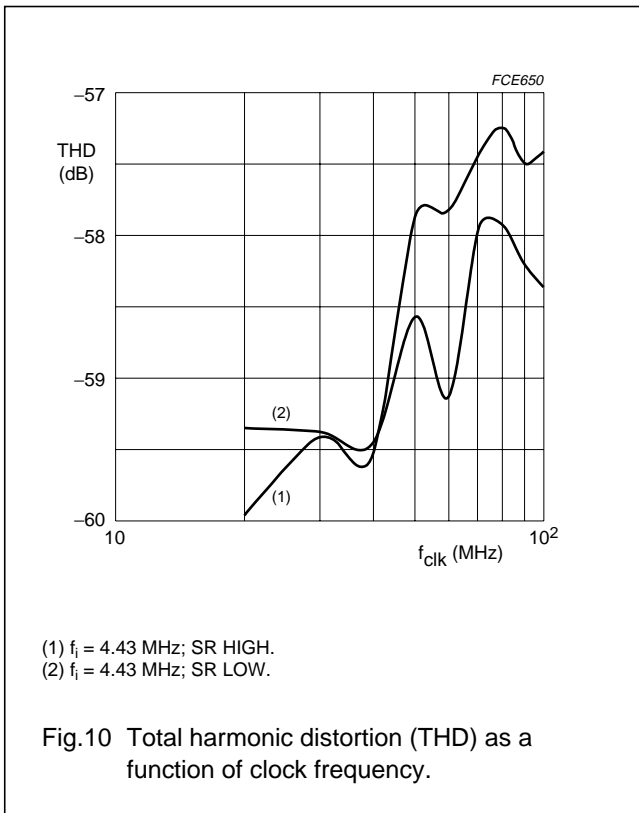
Dual 8-bit, 100 Msp/s A/D converter with optional DPGA

TDA8798



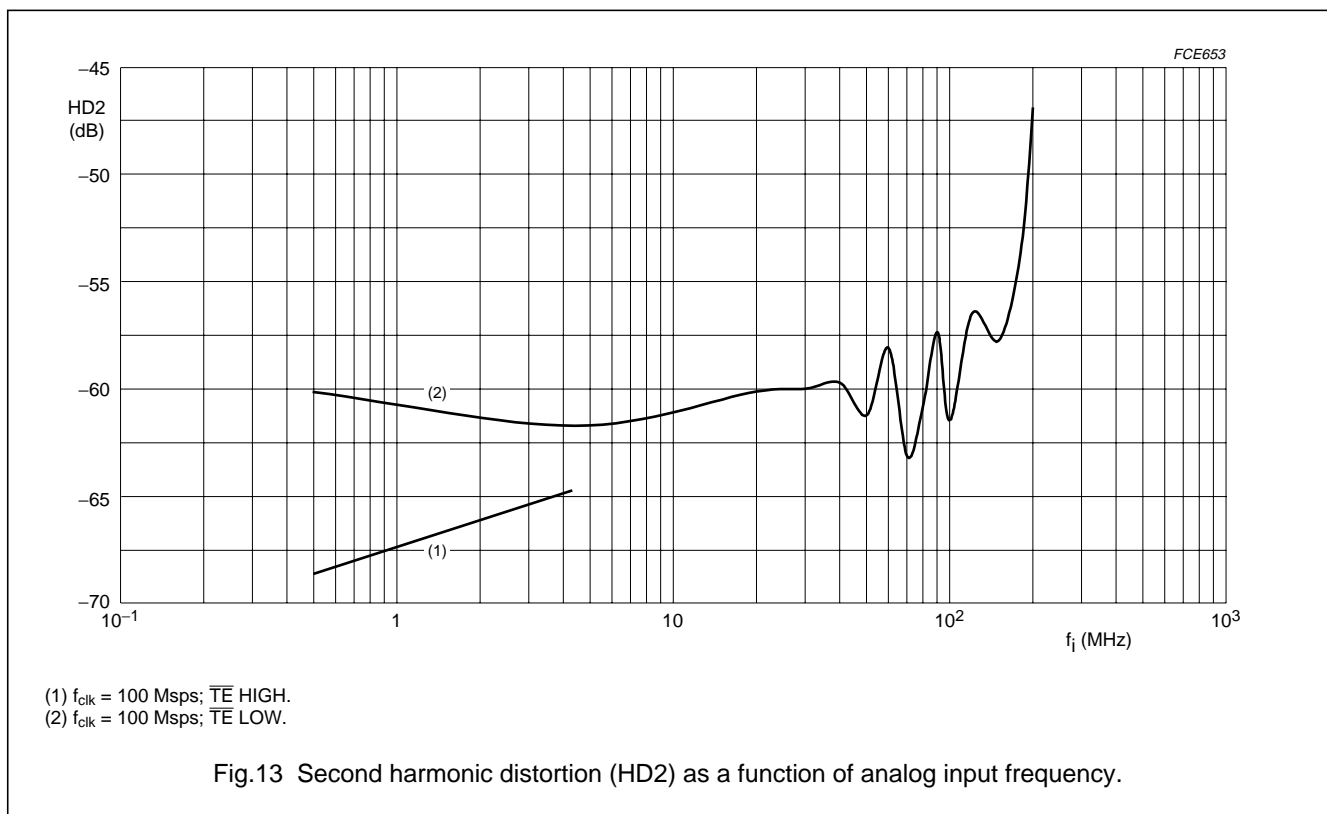
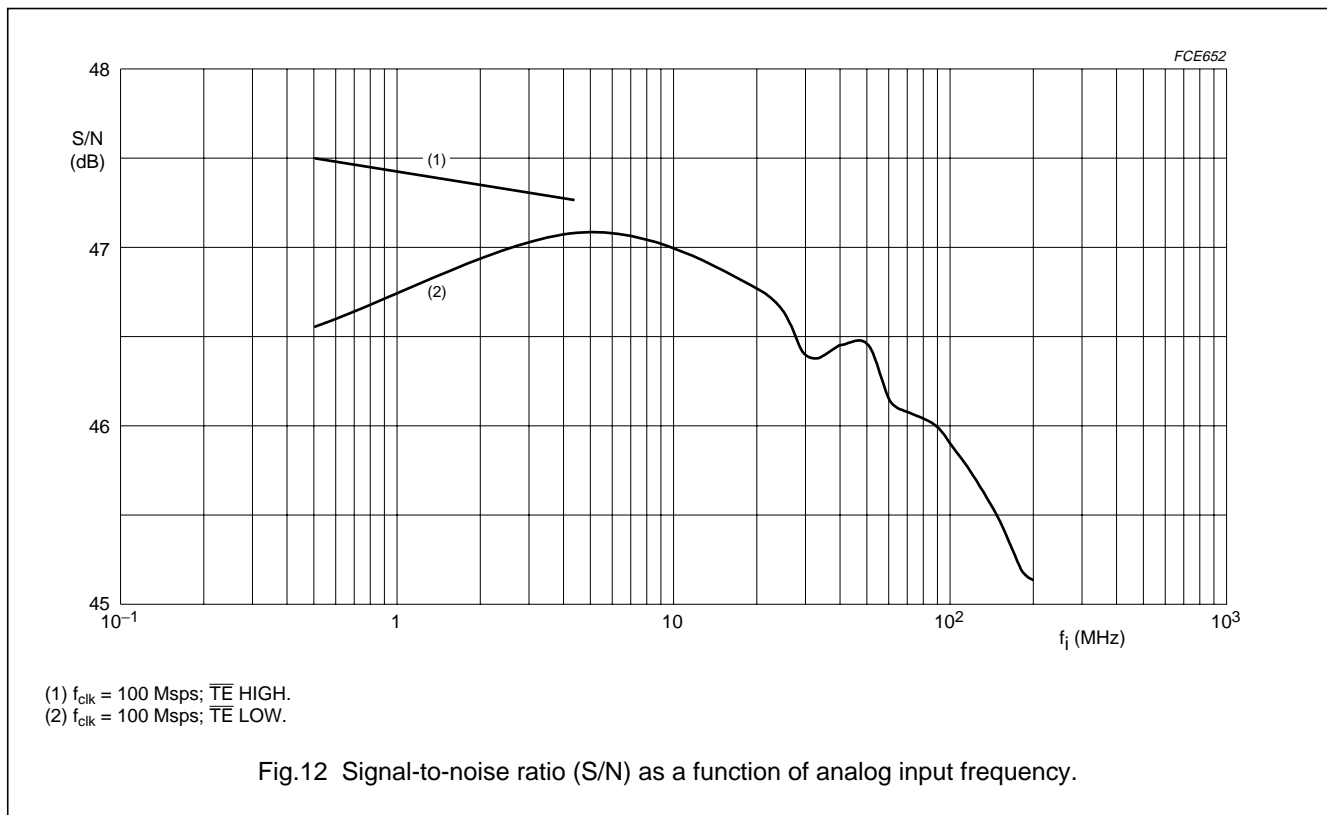
Dual 8-bit, 100 Msp/s A/D converter with optional DPGA

TDA8798



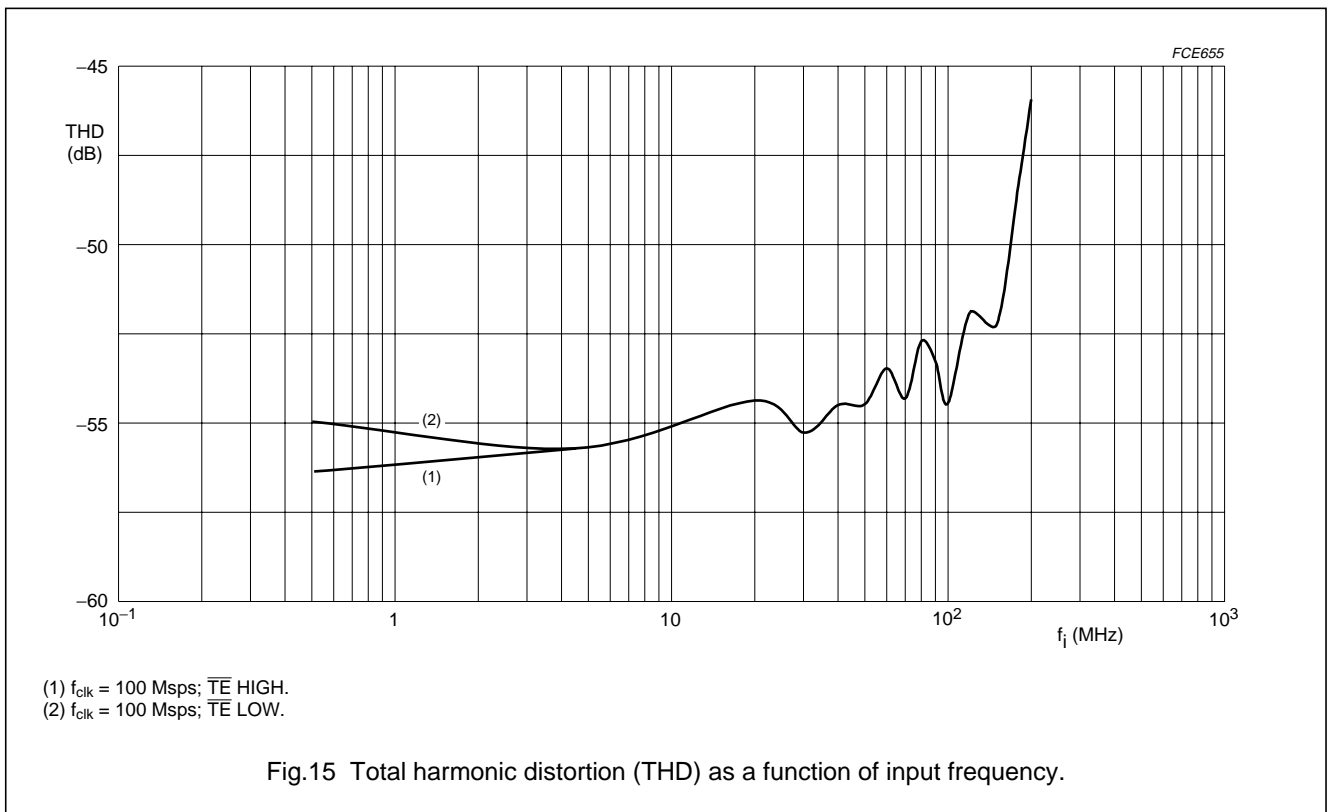
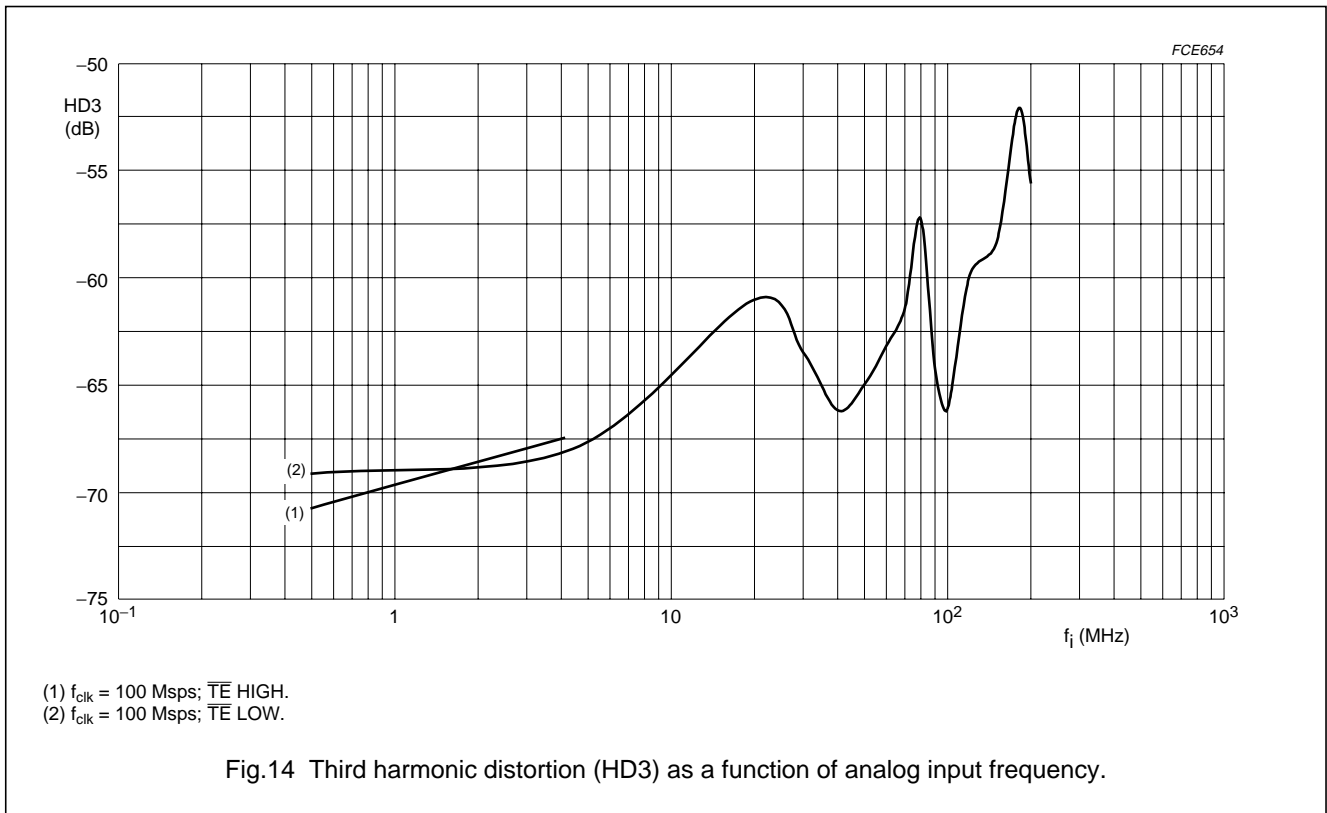
Dual 8-bit, 100 Msp/s A/D converter with optional DPGA

TDA8798



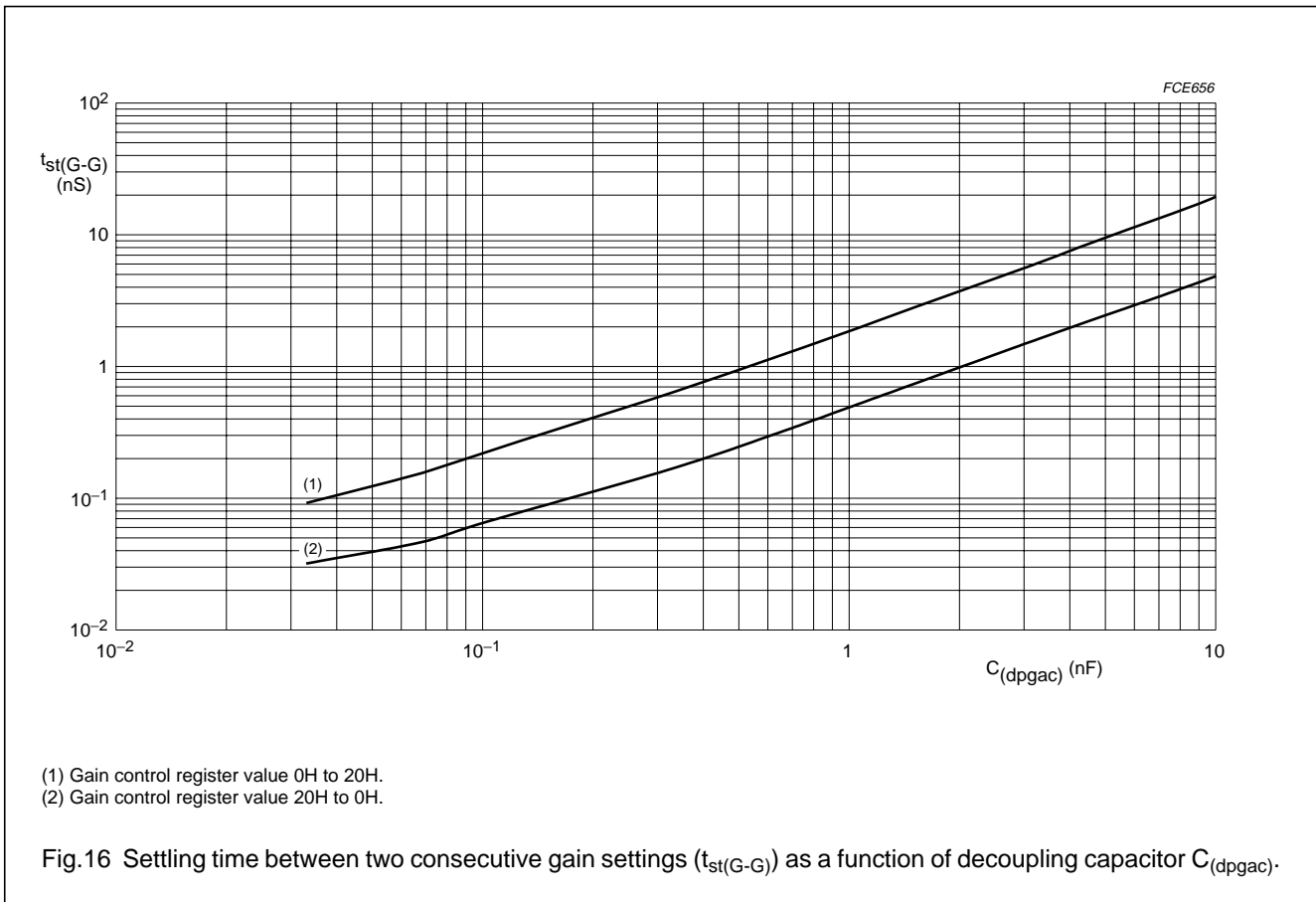
Dual 8-bit, 100 Msp/s A/D converter with optional DPGA

TDA8798



Dual 8-bit, 100 Msps A/D converter with optional DPGA

TDA8798



Dual 8-bit, 100 Msp/s A/D converter with optional DPGA

TDA8798

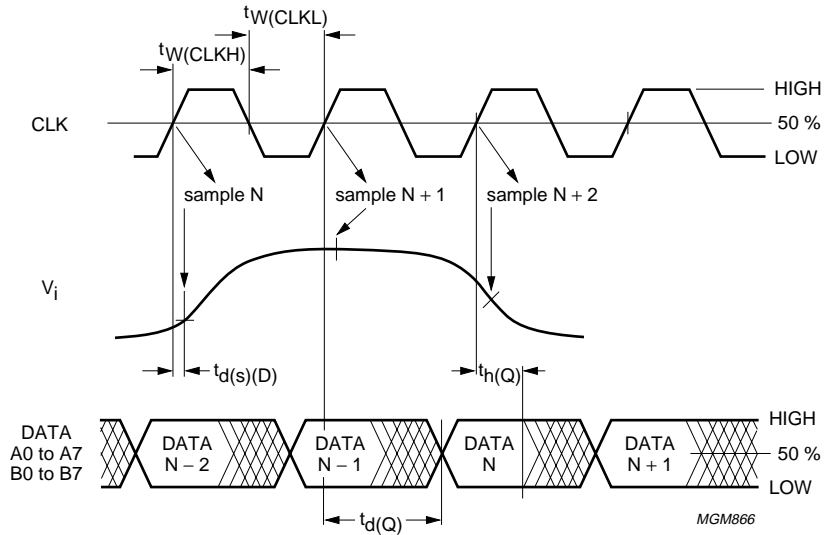


Fig.17 Timing diagram for the ADC.

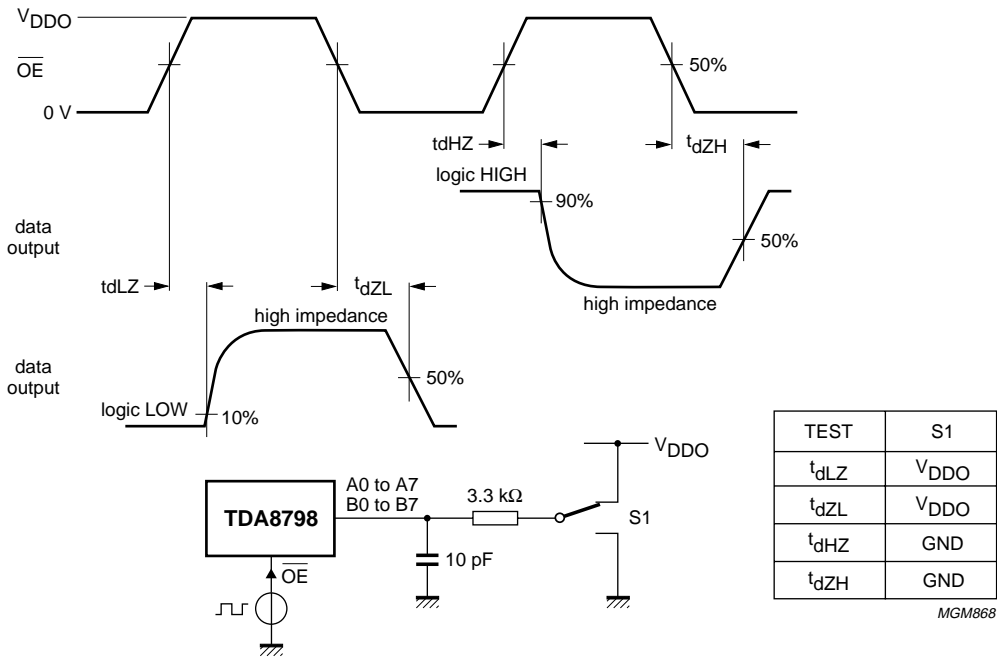
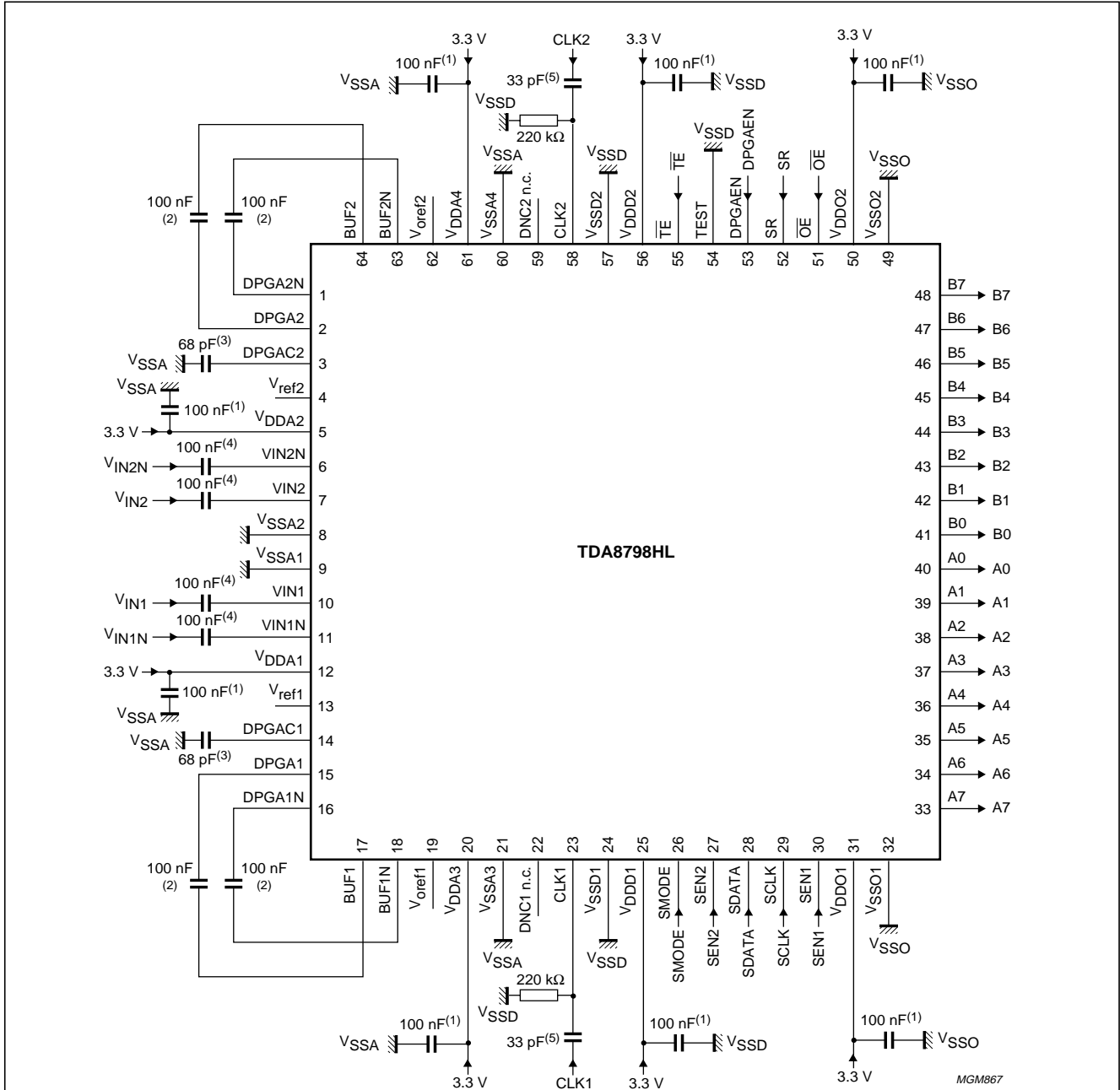


Fig.18 Timing diagram and test conditions of 3-state output delay time.

Dual 8-bit, 100 Msps A/D converter with optional DPGA

TDA8798

TEST AND APPLICATION INFORMATION



Analog and digital supplies must be separate and decoupled.

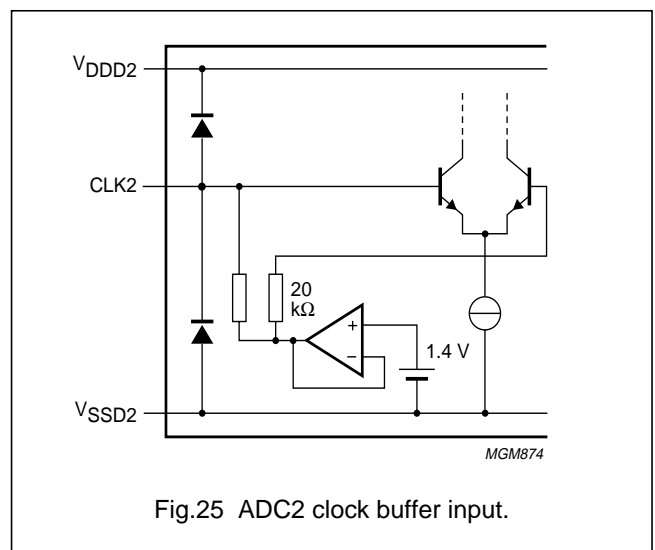
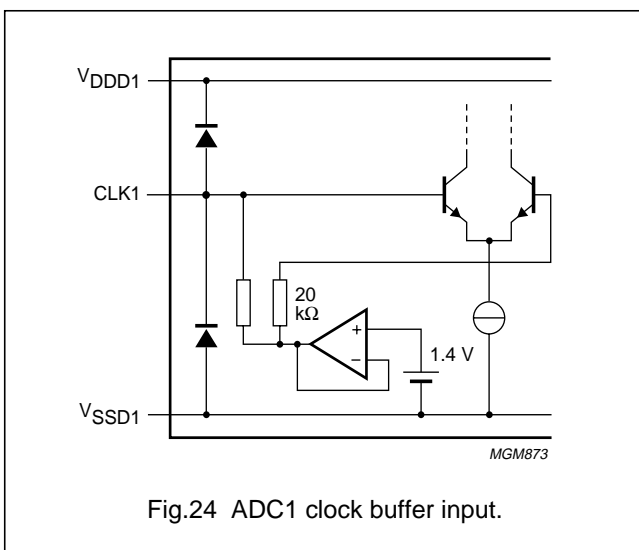
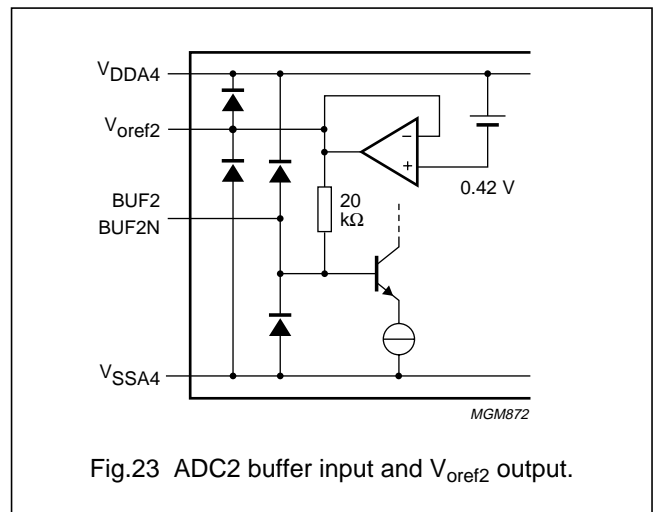
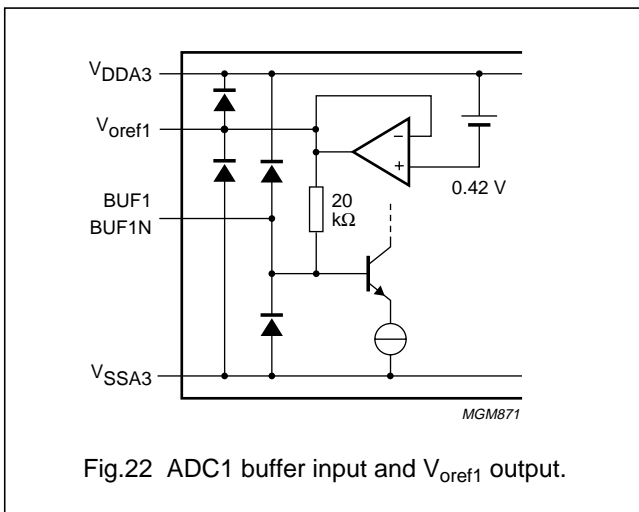
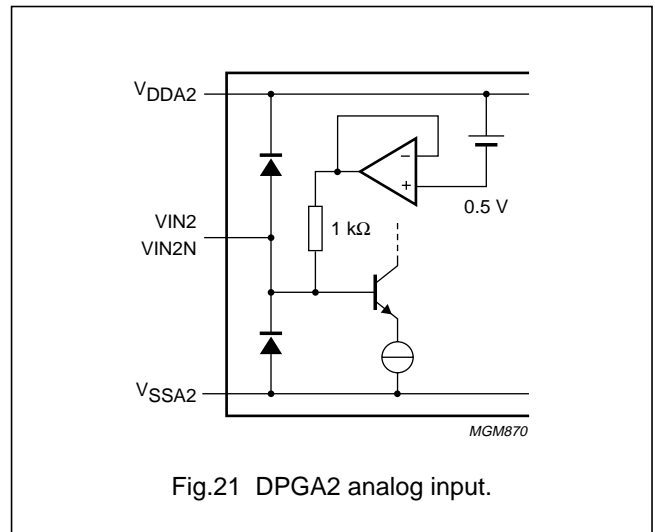
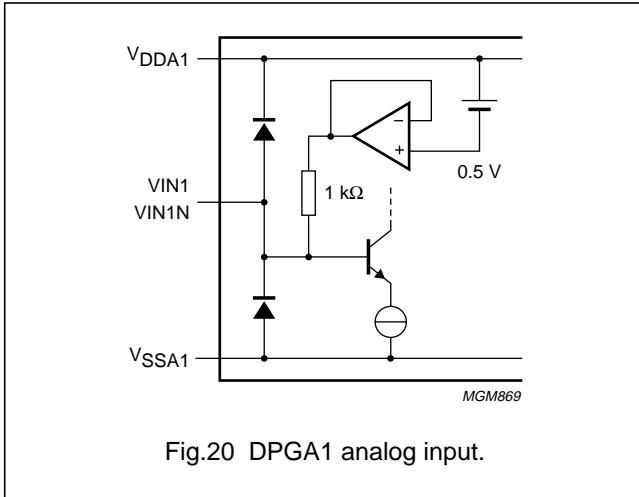
- (1) Supply decoupling capacitor must be placed as closely as possible to the chips pin. The value may need changing, depending on the external filter characteristics.
- (2) Capacitor may be replaced when an external filter is used with AC coupling.
- (3) Capacitor value may be changed to adjust settling time between DPGA gain changes. If no application constraint exists on this settling time, it is recommended to increase this value up to 1nF to have the best DPGA dynamic performance.
- (4) Capacitor value may need changing, depending on the high-pass cut-off frequency of the external filter.
- (5) Capacitor must be placed as close as possible to the chips pin.

Fig.19 Application diagram.

Dual 8-bit, 100 Msp/s A/D converter with optional DPGA

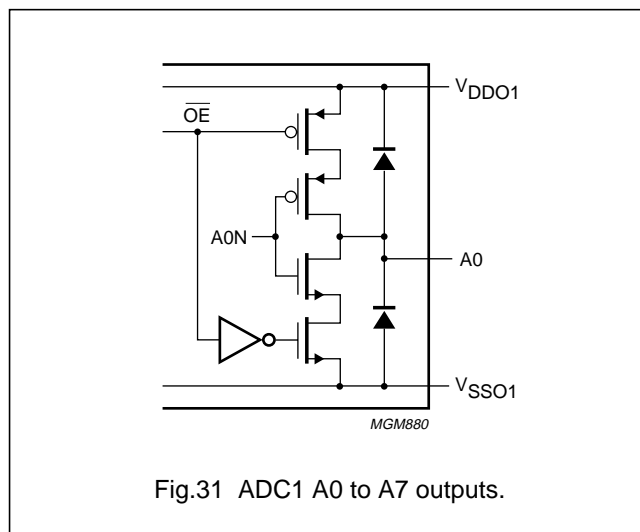
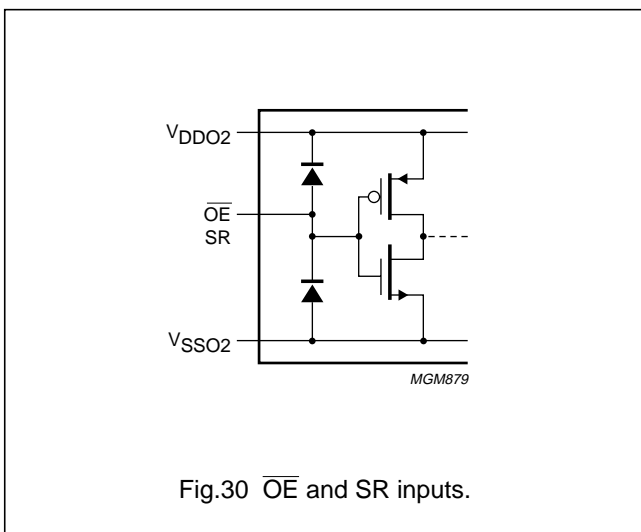
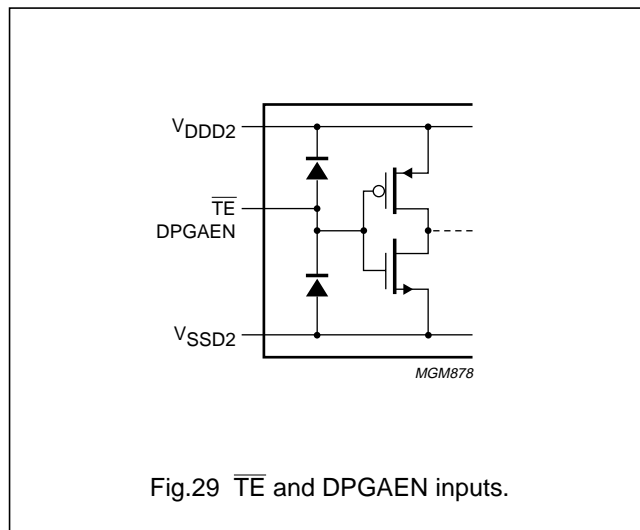
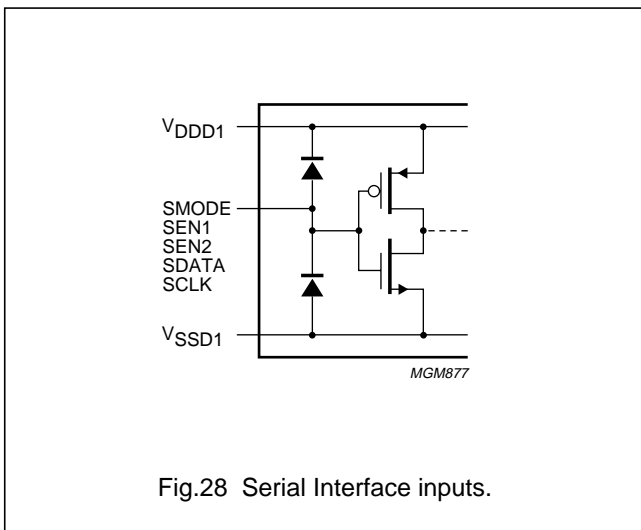
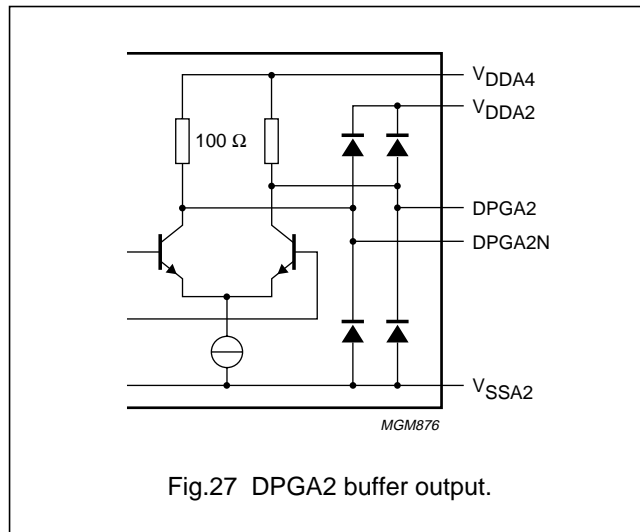
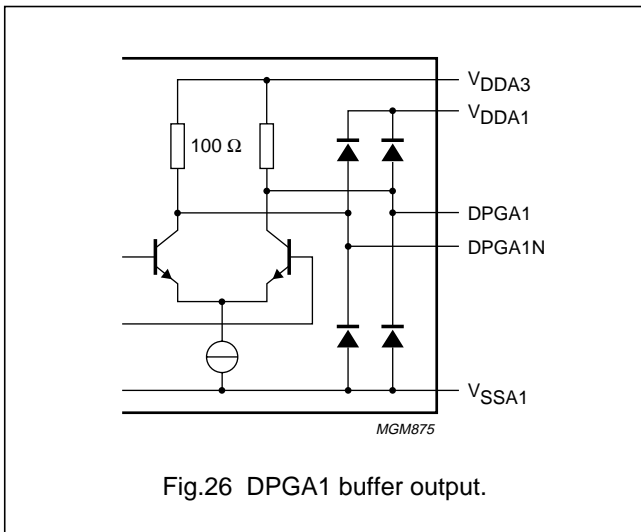
TDA8798

INTERNAL PIN CONFIGURATIONS



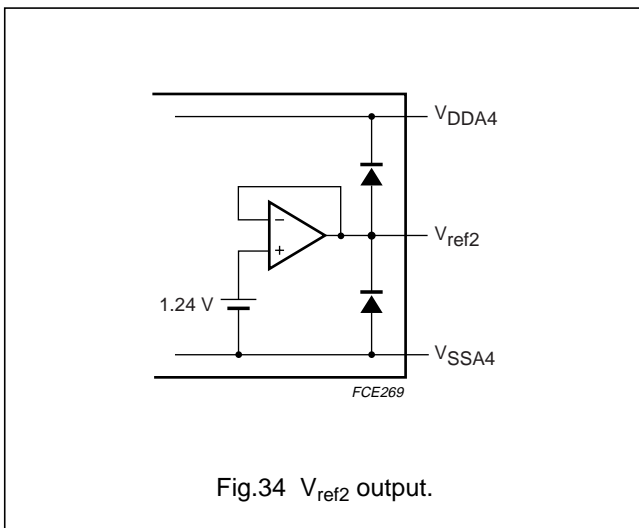
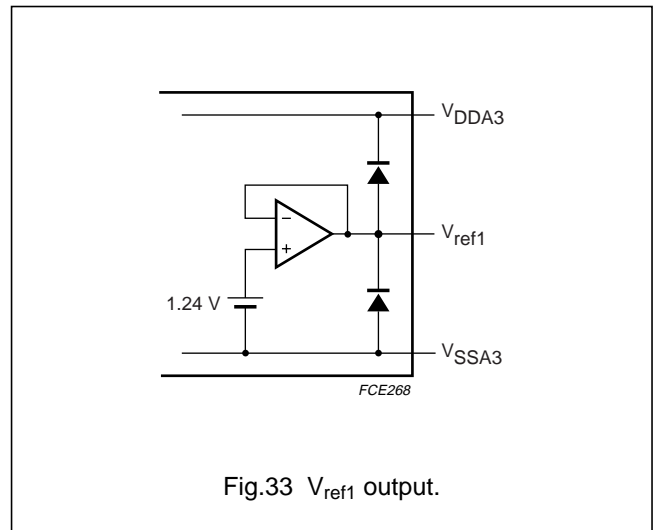
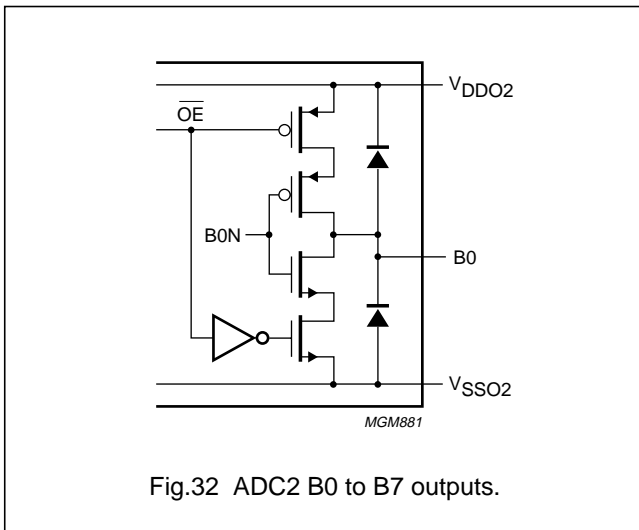
Dual 8-bit, 100 Msp/s A/D converter with optional DPGA

TDA8798



Dual 8-bit, 100 Msp/s A/D converter with optional DPGA

TDA8798



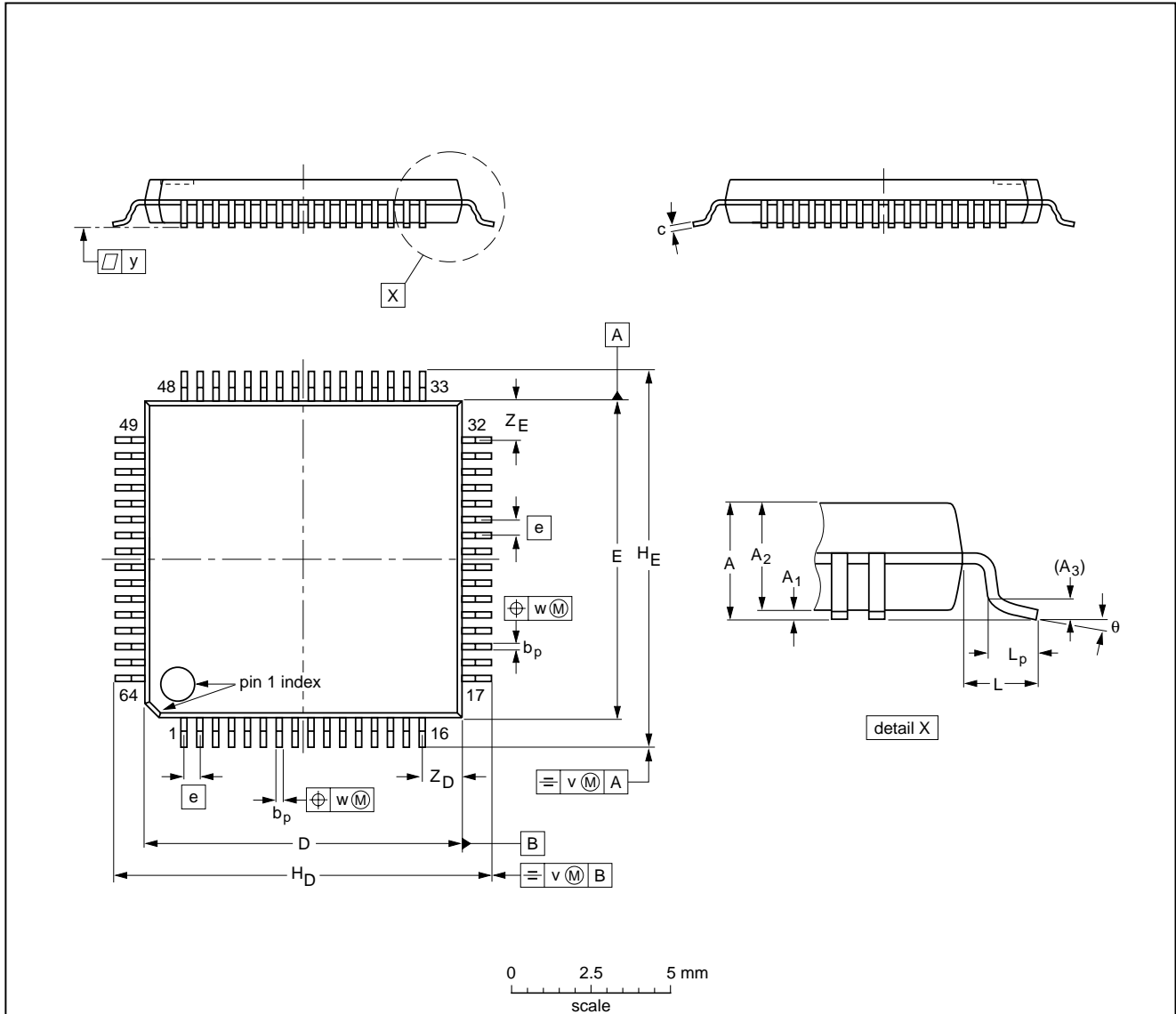
Dual 8-bit, 100 Msp/s A/D converter with optional DPGA

TDA8798

PACKAGE OUTLINE

LQFP64: plastic low profile quad flat package; 64 leads; body 10 x 10 x 1.4 mm

SOT314-2



DIMENSIONS (mm are the original dimensions)

UNIT	A max.	A ₁	A ₂	A ₃	b _p	c	D ⁽¹⁾	E ⁽¹⁾	e	H _D	H _E	L	L _p	v	w	y	Z _D ⁽¹⁾	Z _E ⁽¹⁾	θ
mm	1.60	0.20 0.05	1.45 1.35	0.25	0.27 0.17	0.18 0.12	10.1 9.9	10.1 9.9	0.5	12.15 11.85	12.15 11.85	1.0	0.75 0.45	0.2	0.12	0.1	1.45 1.05	1.45 1.05	7° 0°

Note

1. Plastic or metal protrusions of 0.25 mm maximum per side are not included.

OUTLINE VERSION	REFERENCES				EUROPEAN PROJECTION	ISSUE DATE
	IEC	JEDEC	EIAJ			
SOT314-2	136E10	MS-026				99-12-27 00-01-19

Dual 8-bit, 100 Msps A/D converter with optional DPGA

TDA8798

SOLDERING**Introduction to soldering surface mount packages**

This text gives a very brief insight to a complex technology. A more in-depth account of soldering ICs can be found in our *"Data Handbook IC26; Integrated Circuit Packages"* (document order number 9398 652 90011).

There is no soldering method that is ideal for all surface mount IC packages. Wave soldering is not always suitable for surface mount ICs, or for printed-circuit boards with high population densities. In these situations reflow soldering is often used.

Reflow soldering

Reflow soldering requires solder paste (a suspension of fine solder particles, flux and binding agent) to be applied to the printed-circuit board by screen printing, stencilling or pressure-syringe dispensing before package placement.

Several methods exist for reflowing; for example, infrared/convection heating in a conveyor type oven. Throughput times (preheating, soldering and cooling) vary between 100 and 200 seconds depending on heating method.

Typical reflow peak temperatures range from 215 to 250 °C. The top-surface temperature of the packages should preferably be kept below 230 °C.

Wave soldering

Conventional single wave soldering is not recommended for surface mount devices (SMDs) or printed-circuit boards with a high component density, as solder bridging and non-wetting can present major problems.

To overcome these problems the double-wave soldering method was specifically developed.

If wave soldering is used the following conditions must be observed for optimal results:

- Use a double-wave soldering method comprising a turbulent wave with high upward pressure followed by a smooth laminar wave.
- For packages with leads on two sides and a pitch (e):
 - larger than or equal to 1.27 mm, the footprint longitudinal axis is **preferred** to be parallel to the transport direction of the printed-circuit board;
 - smaller than 1.27 mm, the footprint longitudinal axis **must** be parallel to the transport direction of the printed-circuit board.

The footprint must incorporate solder thieves at the downstream end.

- For packages with leads on four sides, the footprint must be placed at a 45° angle to the transport direction of the printed-circuit board. The footprint must incorporate solder thieves downstream and at the side corners.

During placement and before soldering, the package must be fixed with a droplet of adhesive. The adhesive can be applied by screen printing, pin transfer or syringe dispensing. The package can be soldered after the adhesive is cured.

Typical dwell time is 4 seconds at 250 °C.

A mildly-activated flux will eliminate the need for removal of corrosive residues in most applications.

Manual soldering

Fix the component by first soldering two diagonally-opposite end leads. Use a low voltage (24 V or less) soldering iron applied to the flat part of the lead. Contact time must be limited to 10 seconds at up to 300 °C.

When using a dedicated tool, all other leads can be soldered in one operation within 2 to 5 seconds between 270 and 320 °C.

Dual 8-bit, 100 Msps A/D converter with optional DPGA

TDA8798

Suitability of surface mount IC packages for wave and reflow soldering methods

PACKAGE	SOLDERING METHOD	
	WAVE	REFLOW ⁽¹⁾
BGA, SQFP	not suitable	suitable
HLQFP, HSQFP, HSOP, HTSSOP, SMS	not suitable ⁽²⁾	suitable
PLCC ⁽³⁾ , SO, SOJ	suitable	suitable
LQFP, QFP, TQFP	not recommended ⁽³⁾⁽⁴⁾	suitable
SSOP, TSSOP, VSO	not recommended ⁽⁵⁾	suitable

Notes

1. All surface mount (SMD) packages are moisture sensitive. Depending upon the moisture content, the maximum temperature (with respect to time) and body size of the package, there is a risk that internal or external package cracks may occur due to vaporization of the moisture in them (the so called popcorn effect). For details, refer to the Drypack information in the *“Data Handbook IC26; Integrated Circuit Packages; Section: Packing Methods”*.
2. These packages are not suitable for wave soldering as a solder joint between the printed-circuit board and heatsink (at bottom version) can not be achieved, and as solder may stick to the heatsink (on top version).
3. If wave soldering is considered, then the package must be placed at a 45° angle to the solder wave direction. The package footprint must incorporate solder thieves downstream and at the side corners.
4. Wave soldering is only suitable for LQFP, TQFP and QFP packages with a pitch (e) equal to or larger than 0.8 mm; it is definitely not suitable for packages with a pitch (e) equal to or smaller than 0.65 mm.
5. Wave soldering is only suitable for SSOP and TSSOP packages with a pitch (e) equal to or larger than 0.65 mm; it is definitely not suitable for packages with a pitch (e) equal to or smaller than 0.5 mm.

Dual 8-bit, 100 Msps A/D converter with optional DPGA

TDA8798

DATA SHEET STATUS

DATA SHEET STATUS	PRODUCT STATUS	DEFINITIONS ⁽¹⁾
Objective specification	Development	This data sheet contains the design target or goal specifications for product development. Specification may change in any manner without notice.
Preliminary specification	Qualification	This data sheet contains preliminary data, and supplementary data will be published at a later date. Philips Semiconductors reserves the right to make changes at any time without notice in order to improve design and supply the best possible product.
Product specification	Production	This data sheet contains final specifications. Philips Semiconductors reserves the right to make changes at any time without notice in order to improve design and supply the best possible product.

Note

1. Please consult the most recently issued data sheet before initiating or completing a design.

DEFINITIONS

Short-form specification — The data in a short-form specification is extracted from a full data sheet with the same type number and title. For detailed information see the relevant data sheet or data handbook.

Limiting values definition — Limiting values given are in accordance with the Absolute Maximum Rating System (IEC 60134). Stress above one or more of the limiting values may cause permanent damage to the device. These are stress ratings only and operation of the device at these or at any other conditions above those given in the Characteristics sections of the specification is not implied. Exposure to limiting values for extended periods may affect device reliability.

Application information — Applications that are described herein for any of these products are for illustrative purposes only. Philips Semiconductors make no representation or warranty that such applications will be suitable for the specified use without further testing or modification.

DISCLAIMERS

Life support applications — These products are not designed for use in life support appliances, devices, or systems where malfunction of these products can reasonably be expected to result in personal injury. Philips Semiconductors customers using or selling these products for use in such applications do so at their own risk and agree to fully indemnify Philips Semiconductors for any damages resulting from such application.

Right to make changes — Philips Semiconductors reserves the right to make changes, without notice, in the products, including circuits, standard cells, and/or software, described or contained herein in order to improve design and/or performance. Philips Semiconductors assumes no responsibility or liability for the use of any of these products, conveys no licence or title under any patent, copyright, or mask work right to these products, and makes no representations or warranties that these products are free from patent, copyright, or mask work right infringement, unless otherwise specified.

Philips Semiconductors – a worldwide company

Argentina: see South America

Australia: 3 Figtree Drive, HOMEBUSH, NSW 2140,
Tel. +61 2 9704 8141, Fax. +61 2 9704 8139

Austria: Computerstr. 6, A-1101 WIEN, P.O. Box 213,
Tel. +43 1 60 101 1248, Fax. +43 1 60 101 1210

Belarus: Hotel Minsk Business Center, Bld. 3, r. 1211, Volodarski Str. 6,
220050 MINSK, Tel. +375 172 20 0733, Fax. +375 172 20 0773

Belgium: see The Netherlands

Brazil: see South America

Bulgaria: Philips Bulgaria Ltd., Energoproject, 15th floor,
51 James Bourchier Blvd., 1407 SOFIA,
Tel. +359 2 68 9211, Fax. +359 2 68 9102

Canada: PHILIPS SEMICONDUCTORS/COMPONENTS,
Tel. +1 800 234 7381, Fax. +1 800 943 0087

China/Hong Kong: 501 Hong Kong Industrial Technology Centre,
72 Tat Chee Avenue, Kowloon Tong, HONG KONG,
Tel. +852 2319 7888, Fax. +852 2319 7700

Colombia: see South America

Czech Republic: see Austria

Denmark: Sydhavnsgade 23, 1780 COPENHAGEN V,
Tel. +45 33 29 3333, Fax. +45 33 29 3905

Finland: Sinikalliontie 3, FIN-02630 ESPOO,
Tel. +358 9 615 800, Fax. +358 9 6158 0920

France: 51 Rue Carnot, BP317, 92156 SURESNES Cedex,
Tel. +33 1 4099 6161, Fax. +33 1 4099 6427

Germany: Hammerbrookstraße 69, D-20097 HAMBURG,
Tel. +49 40 2353 60, Fax. +49 40 2353 6300

Hungary: Philips Hungary Ltd., H-1119 Budapest, Fehervari ut 84/A,
Tel: +36 1 382 1700, Fax: +36 1 382 1800

India: Philips INDIA Ltd, Band Box Building, 2nd floor,
254-D, Dr. Annie Besant Road, Worli, MUMBAI 400 025,
Tel. +91 22 493 8541, Fax. +91 22 493 0966

Indonesia: PT Philips Development Corporation, Semiconductors Division,
Gedung Philips, Jl. Buncit Raya Kav.99-100, JAKARTA 12510,
Tel. +62 21 794 0040 ext. 2501, Fax. +62 21 794 0080

Ireland: Newstead, Clonskeagh, DUBLIN 14,
Tel. +353 1 7640 000, Fax. +353 1 7640 200

Israel: RAPAC Electronics, 7 Kehilat Saloniki St, PO Box 18053,
TEL AVIV 61180, Tel. +972 3 645 0444, Fax. +972 3 649 1007

Italy: PHILIPS SEMICONDUCTORS, Via Casati, 23 - 20052 MONZA (MI),
Tel. +39 039 203 6838, Fax +39 039 203 6800

Japan: Philips Bldg 13-37, Kohnan 2-chome, Minato-ku,
TOKYO 108-8507, Tel. +81 3 3740 5130, Fax. +81 3 3740 5057

Korea: Philips House, 260-199 Itaewon-dong, Yongsan-ku, SEOUL,
Tel. +82 2 709 1412, Fax. +82 2 709 1415

Malaysia: No. 76 Jalan Universiti, 46200 PETALING JAYA, SELANGOR,
Tel. +60 3 750 5214, Fax. +60 3 757 4880

Mexico: 5900 Gateway East, Suite 200, EL PASO, TEXAS 79905,
Tel. +9-5 800 234 7381, Fax +9-5 800 943 0087

Middle East: see Italy

Netherlands: Postbus 90050, 5600 PB EINDHOVEN, Bldg. VB,
Tel. +31 40 27 82785, Fax. +31 40 27 88399

New Zealand: 2 Wagener Place, C.P.O. Box 1041, AUCKLAND,
Tel. +64 9 849 4160, Fax. +64 9 849 7811

Norway: Box 1, Manglerud 0612, OSLO,
Tel. +47 22 74 8000, Fax. +47 22 74 8341

Pakistan: see Singapore

Philippines: Philips Semiconductors Philippines Inc.,
106 Valero St. Salcedo Village, P.O. Box 2108 MCC, MAKATI,
Metro MANILA, Tel. +63 2 816 6380, Fax. +63 2 817 3474

Poland: Al.Jerozolimskie 195 B, 02-222 WARSAW,
Tel. +48 22 5710 000, Fax. +48 22 5710 001

Portugal: see Spain

Romania: see Italy

Russia: Philips Russia, Ul. Usatcheva 35A, 119048 MOSCOW,
Tel. +7 095 755 6918, Fax. +7 095 755 6919

Singapore: Lorong 1, Toa Payoh, SINGAPORE 319762,
Tel. +65 350 2538, Fax. +65 251 6500

Slovakia: see Austria

Slovenia: see Italy

South Africa: S.A. PHILIPS Pty Ltd., 195-215 Main Road Martindale,
2092 JOHANNESBURG, P.O. Box 58088 Newville 2114,
Tel. +27 11 471 5401, Fax. +27 11 471 5398

South America: Al. Vicente Pinzon, 173, 6th floor,
04547-130 SÃO PAULO, SP, Brazil,
Tel. +55 11 821 2333, Fax. +55 11 821 2382

Spain: Balmes 22, 08007 BARCELONA,
Tel. +34 93 301 6312, Fax. +34 93 301 4107

Sweden: Kottbygatan 7, Akalla, S-16485 STOCKHOLM,
Tel. +46 8 5985 2000, Fax. +46 8 5985 2745

Switzerland: Allmendstrasse 140, CH-8027 ZÜRICH,
Tel. +41 1 488 2741 Fax. +41 1 488 3263

Taiwan: Philips Semiconductors, 5F, No. 96, Chien Kuo N. Rd., Sec. 1,
TAIPEI, Taiwan Tel. +886 2 2134 2451, Fax. +886 2 2134 2874

Thailand: PHILIPS ELECTRONICS (THAILAND) Ltd.,
60/14 MOO 11, Bangna Trad Road KM. 3, Bagna, BANGKOK 10260,
Tel. +66 2 361 7910, Fax. +66 2 398 3447

Turkey: Yukari Dudullu, Org. San. Blg., 2.Cad. Nr. 28 81260 Umraniye,
ISTANBUL, Tel. +90 216 522 1500, Fax. +90 216 522 1813

Ukraine: PHILIPS UKRAINE, 4 Patrice Lumumba str., Building B, Floor 7,
252042 KIEV, Tel. +380 44 264 2776, Fax. +380 44 268 0461

United Kingdom: Philips Semiconductors Ltd., 276 Bath Road, Hayes,
MIDDLESEX UB3 5BX, Tel. +44 208 730 5000, Fax. +44 208 754 8421

United States: 811 East Arques Avenue, SUNNYVALE, CA 94088-3409,
Tel. +1 800 234 7381, Fax. +1 800 943 0087

Uruguay: see South America

Vietnam: see Singapore

Yugoslavia: PHILIPS, Trg N. Pasica 5/v, 11000 BEOGRAD,
Tel. +381 11 3341 299, Fax.+381 11 3342 553

For all other countries apply to: Philips Semiconductors,
Marketing Communications, Building BE-p, P.O. Box 218, 5600 MD EINDHOVEN,
The Netherlands, Fax. +31 40 27 24825

Internet: <http://www.semiconductors.philips.com>

© Philips Electronics N.V. 2001

SCA 71

All rights are reserved. Reproduction in whole or in part is prohibited without the prior written consent of the copyright owner.

The information presented in this document does not form part of any quotation or contract, is believed to be accurate and reliable and may be changed without notice. No liability will be accepted by the publisher for any consequence of its use. Publication thereof does not convey nor imply any license under patent- or other industrial or intellectual property rights.

Printed in The Netherlands

753504/04/pp32

Date of release: 2001 Feb 14

Document order number: 9397 750 08069

Let's make things better.

Philips
Semiconductors



PHILIPS